

INFINITY REFERENCE

REF-704a/REF-4555a/REF-551a AMPLIFIER



OWNER'S MANUAL

 **Infinity**[®]



THANK YOU FOR YOUR PURCHASE ...

Your Infinity product has been designed to provide you with the performance and ease of operation you would expect from Infinity.

- Please take time to read your owner's manual in its entirety before operating or installing your amplifier.
- Keep the owner's manual for your amplifier in your glove compartment along with the owner's manual for your car.
- Put your amplifier sales receipt with other important documents in order to expedite warranty service if needed.

ABOUT THE MANUAL

This manual describes general installation guidelines and operation instructions. However, please note that proper installation of mobile audio and video components requires qualified experience with mechanical and electrical procedures. If you do not have the knowledge and tools to successfully perform this installation, we strongly recommend consulting an authorized Infinity dealer about your installation options. Keep all instructions and sales receipts for reference. Consider this manual as an indispensable feature of your amplifier.

INFINITY REFERENCE

TABLE OF CONTENTS

CHAPTER 1: PICTORIAL INDEX OF INPUT CONNECTIONS	01
CHAPTER 2: INSTALLATION AND WIRING	02
What's in the box	02
Precautions	02
1. Power indicator	03
2. Protect indicator	03
3. Speaker output connectors	03
4. Fuses	06
5. Power input connectors	06
6. Front and rear inputs and outputs (RCA)	07
7. Input level	08
8. Crossover filter selectors	08
9. Gain	08
10. Crossover frequency controls	09
11. HALOsonic input	09
12. ADAS Assign (REF-704a and REF-4555a)	09
13. ADAS Input (REF-704a and REF-4555a)	09
CHAPTER 3: OPERATIONS	10
CHAPTER 4: TROUBLESHOOTING	11
CHAPTER 5: SPECIFICATIONS	12

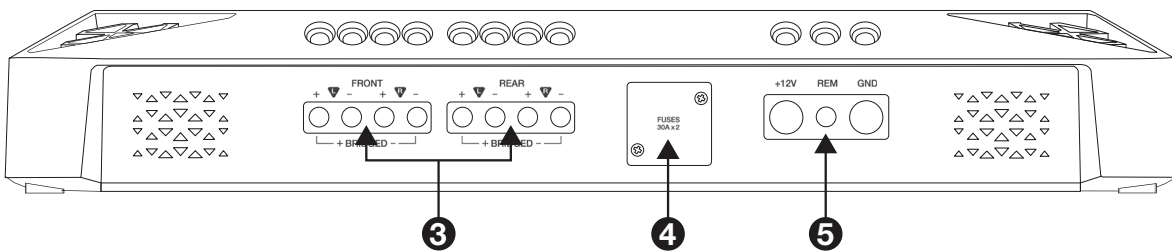


CHAPTER 1: PICTORIAL INDEX OF INPUT CONNECTIONS

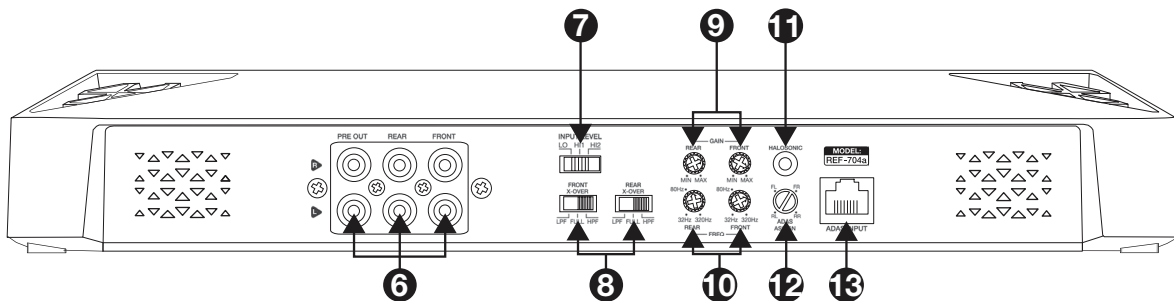
REF Amplifier top panel



REF Amplifier front panel



REF Amplifier back panel



INFINITY REFERENCE

CHAPTER 2: INSTALLATION AND WIRING

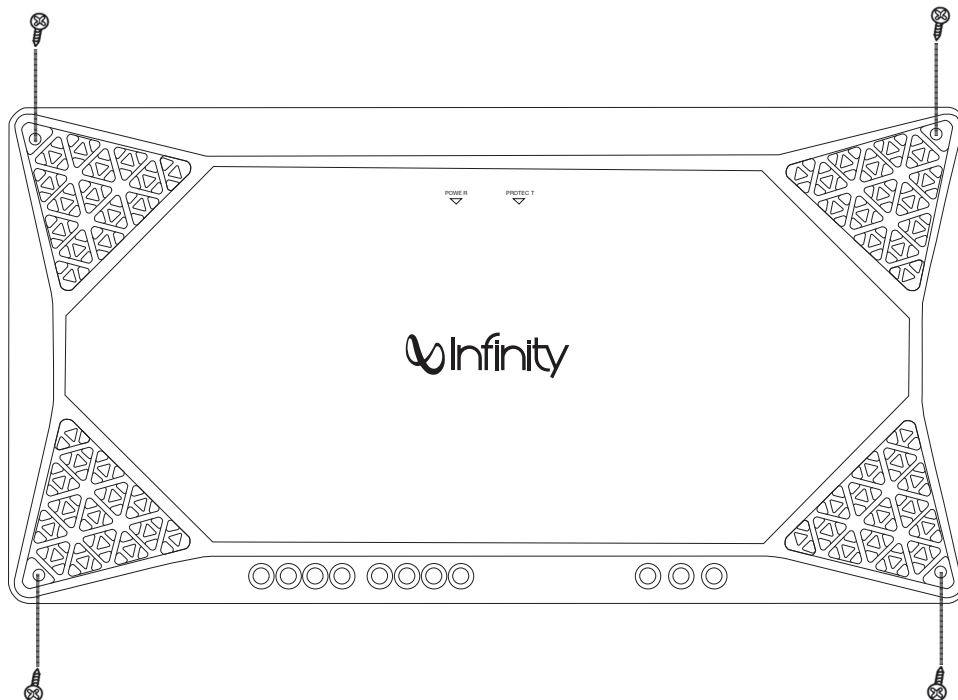
What's in the box:

- 1 amplifier
- 2 spare fuses (x3 with REF-4555a)
- 4 RCA adapters (x2 with REF-551a)
- Quick-start guide

Precautions:

IMPORTANT: Disconnect the vehicle's negative (–) battery terminal before beginning the installation.

- Always wear protective eyewear when using tools.
- Choose a safe mounting location, away from moisture. Check clearances on both sides of a planned mounting surface. Be sure that screws or wires will not puncture brake lines, fuel lines, or wiring harnesses and that wire routing will not interfere with the safe vehicle operation. Use caution when drilling or cutting in the mounting area.
- When making electrical connections, make sure they are secure and properly insulated.
- If you must replace any of the amplifier's fuses, use the same type of fuse and current rating as the original.
- To keep the amplifier cool, choose a location that provides enough air circulation, such as under a seat or in the trunk.
- Do not mount the amplifier with the heat sink facing downward, as this interferes with cooling.
- Mount the amplifier so that it will not be damaged by the feet of backseat passengers or shifting cargo in the trunk, and so that it remains dry.
- Using the amplifier as a template, mark the locations of the holes on the mounting surface.
- Drill pilot holes in the mounting surface.
- Attach the amplifier to the mounting surface with four appropriate mounting screws (not included). Recommended: #8 Phillips-head sheet metal screws.



NOTE: You may find it more convenient to make all of the connections to the amplifier before you permanently mount it.



1. Power indicator:

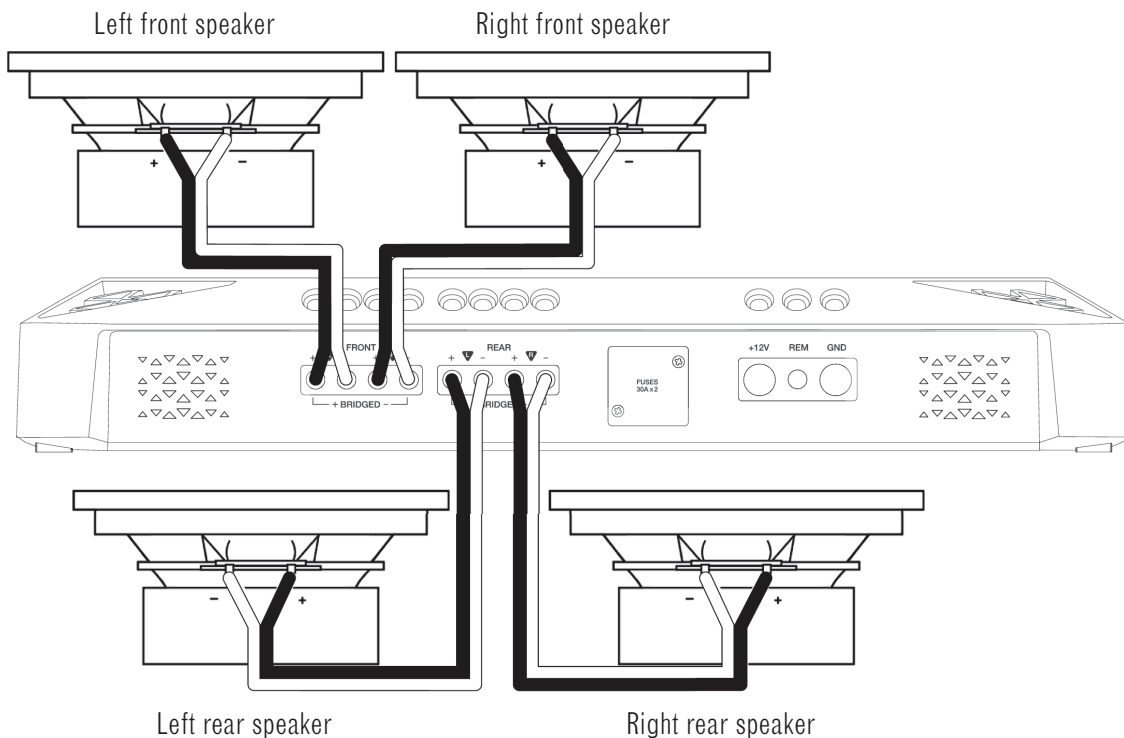
The light will illuminate in white when the amp is receiving power and playing.

2. Protect indicator:

The indicator will illuminate in red if the amp enters Protect mode in the event of conditions such as over/under voltage, short circuit, amplifier output circuit failure, or excessive heat.

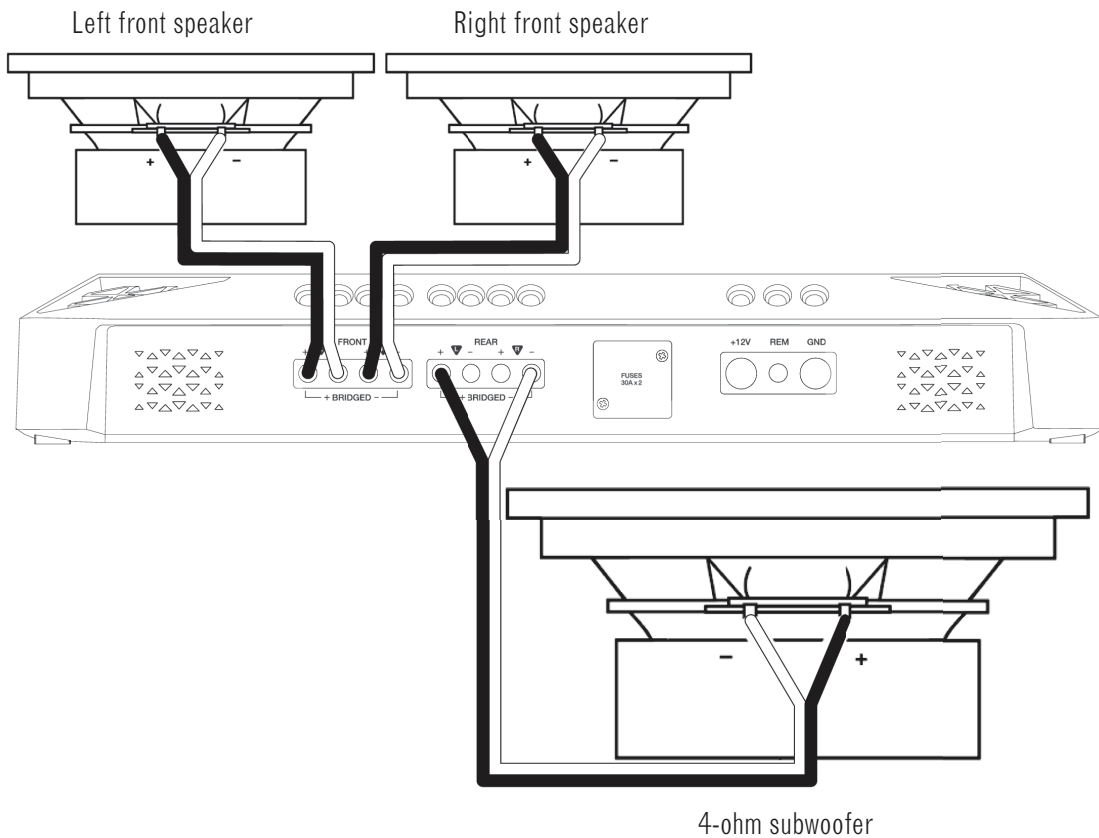
3. Speaker Output Connectors:

- Connect the speakers to these terminals, observing proper polarity (connect each speaker's positive (+) lead to the appropriate positive (+) terminal, and negative (-) lead to the appropriate negative (-) terminal).
- The REF-704a features Front L+, L-, R+, and R- terminals, and Rear L+, L-, R+, and R- terminals.
 - 4-channel operation: Connect the front left speaker to the Front L+ and L- terminals, and the front right speaker to the Front R+ and R- terminals. Connect the rear left speaker to the Rear L+ and L- terminals, and the rear right speaker to the Rear R+ and R- terminals.

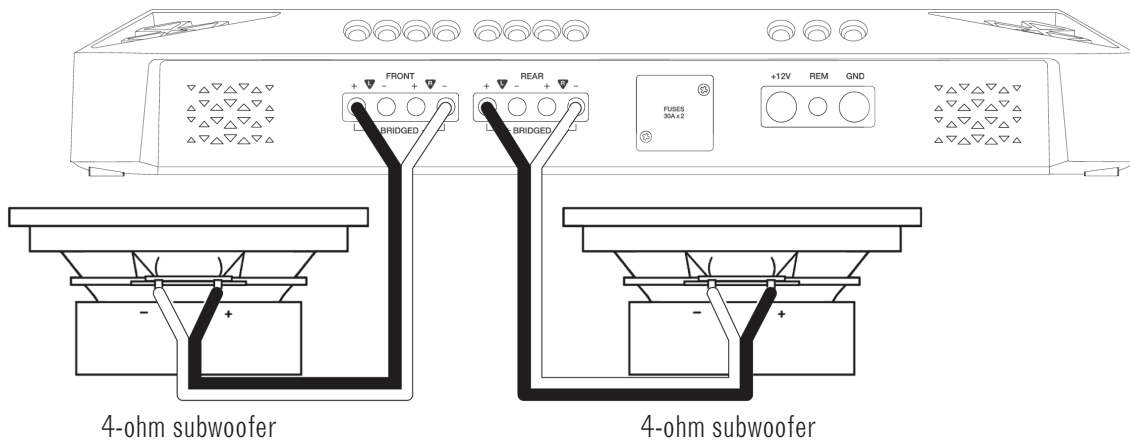


INFINITY REFERENCE

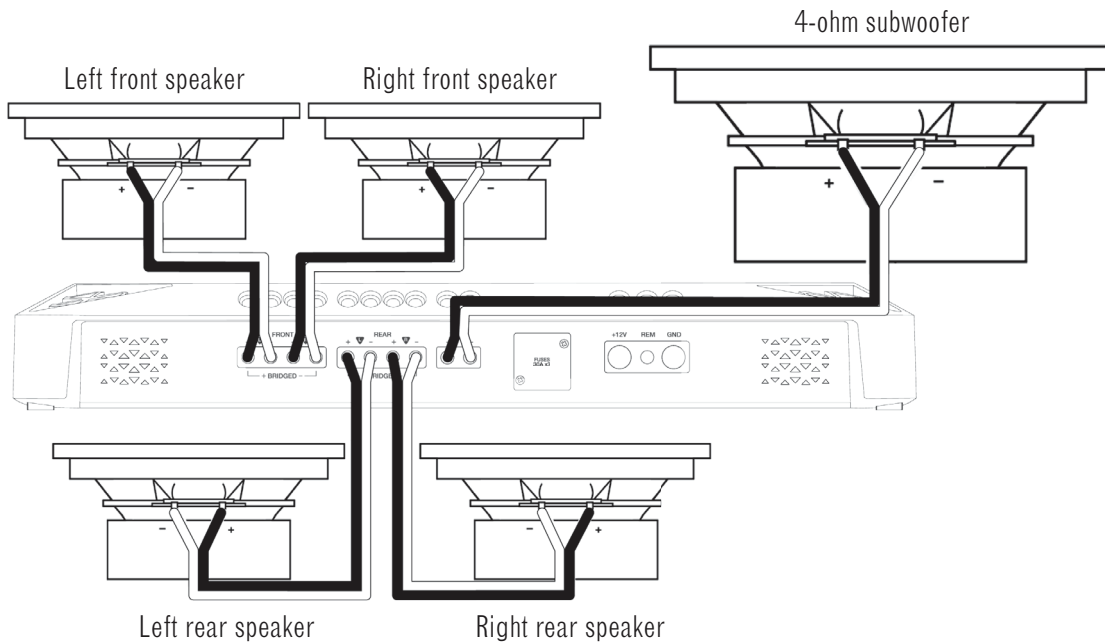
- 3-channel operation: Connect the stereo speakers to the Front terminals, as described above. Connect the single speaker's + lead to the Rear L+ terminal, and the - lead to the Rear R- terminal.



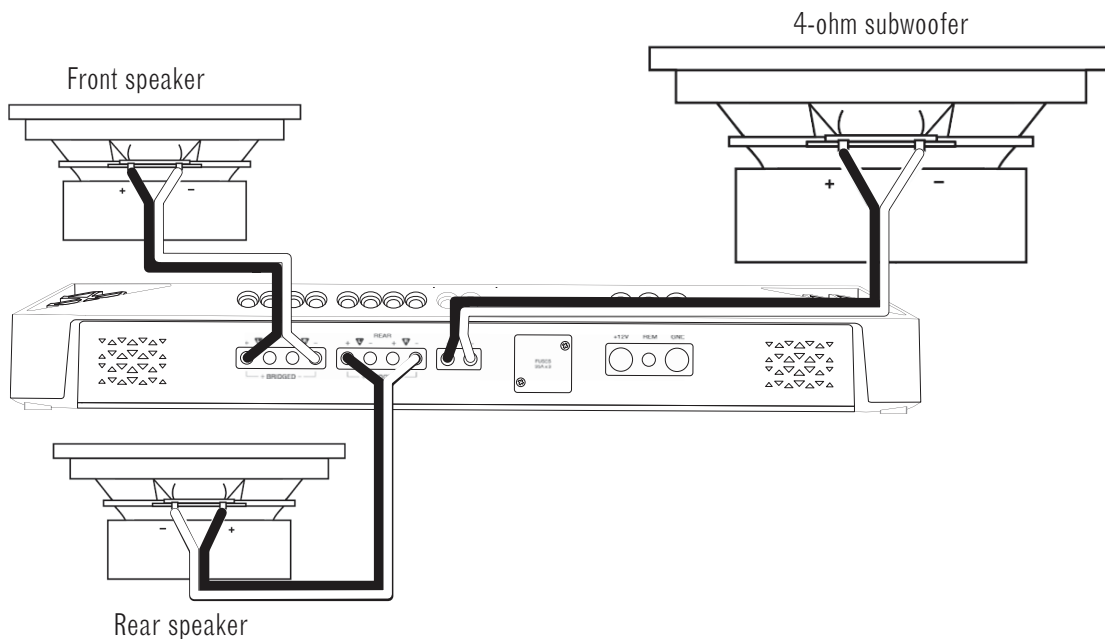
- 2-channel (bridged) operation: Connect one speaker's + lead to the Front L+ terminal, and the - lead to the Front R- terminal. Connect the other speaker's + lead to the Rear L+ terminal, and the - lead to the Rear R- terminal.



- The REF-4555a features Front L+, L-, R+, and R- terminals; Rear L+, L-, R+, and R- terminals; and Sub + and - terminals.
 - 5-channel operation: Connect the front left speaker to the Front L+ and L- terminals, and the front right speaker to the Front R+ and R- terminals. Connect the rear left speaker to the Rear L+ and L- terminals, and the rear right speaker to the Rear R+ and R- terminals. Connect the subwoofer's positive (+) lead to the + terminal, and the negative (-) lead to the - terminal.

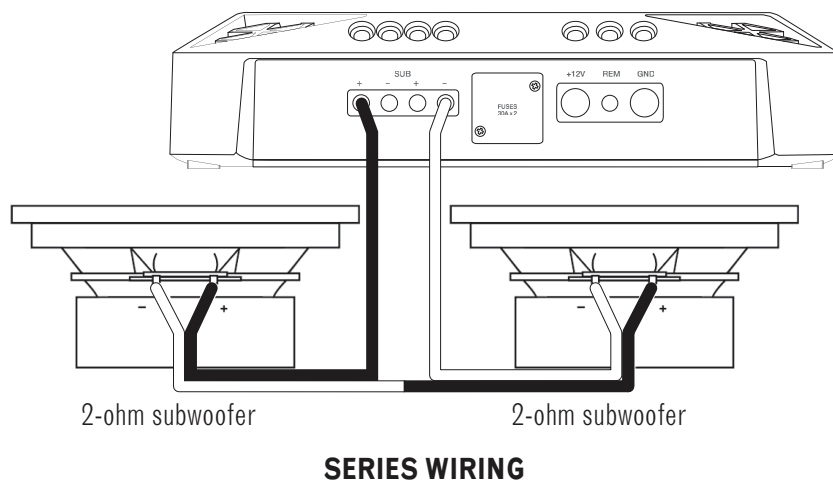
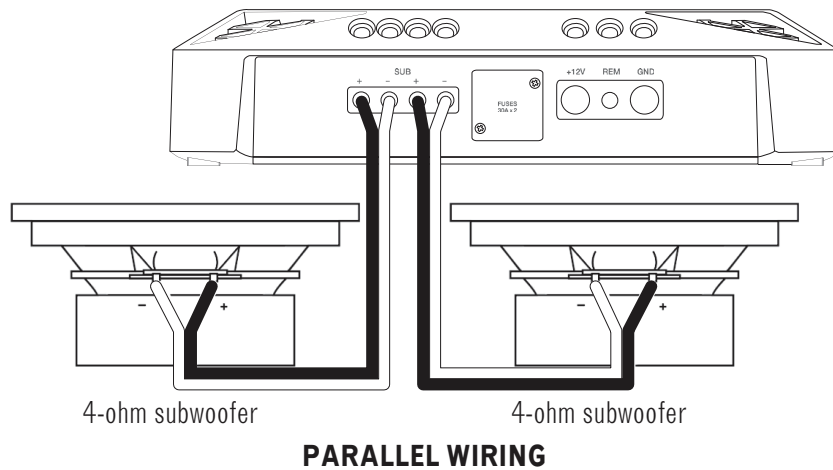


- 3-channel (front and rear bridged) operation: Connect one speaker's + lead to the Front L+ terminal, and the - lead to the Front R- terminal. Connect the other speaker's + lead to the Rear L+ terminal, and the - lead to the Rear R- terminal. Connect the subwoofer's positive (+) lead to the + terminal, and the negative (-) lead to the - terminal.



INFINITY REFERENCE

- The REF-551a features two positive (+) and two negative (-) terminals. To power two subwoofers in parallel, connect one sub's positive (+) and negative (-) leads to the positive and negative terminals on the left, and the other sub's positive and negative leads to the positive and negative terminals on the right. To power two subwoofers in series, connect one sub's positive (+) lead to the positive terminal on the left, and the other sub's negative (-) lead to the negative terminal on the right, then connect left sub's negative lead to the right sub's positive lead.



If you're connecting only one sub, you can use either set of positive and negative terminals.

NOTE: Minimum speaker impedance for stereo full-range and subwoofer operation is 2ohms. Minimum speaker impedance for bridged operation is 4ohms.

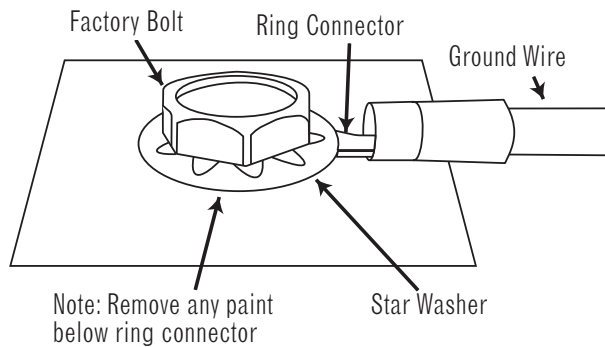
4. Fuses:

- Replace only with fuses of the same amperage:
 - REF-704a, REF-551a: 30A
 - REF-4555a: 30A



5. Power Input Connectors:

- Power: Run power wire from the +12V input to the positive terminal of the vehicle's battery. Install an appropriate fuse holder and fuse (60A minimum on REF-704a and REF-551a, 105A minimum on REF-4555a) within 18" (457mm) of the battery. Make sure the wire is not damaged or pinched during installation. Install protective grommets when routing wires through the bulkhead or other sheet metal. Use larger-gauge wiring for longer runs.
 - REF-704a minimum wire size: 10 gauge
 - REF-4555a, REF-551a minimum wire size: 8 gauge
- Ground: Run a wire (the same gauge as the power wire) from the GND input to a factory bolt in the vehicle's chassis (see illustration below). **NOTE:** Remove any paint from the chassis for best contact. Use a star washer below the ring connector for a secure connection.



- Remote: Connect a 20-gauge wire from the "Remote Out" lead of the source unit to the REM input. This lead turns the amplifier on when using low-level input signals.

6. Front and rear inputs and outputs (RCA):

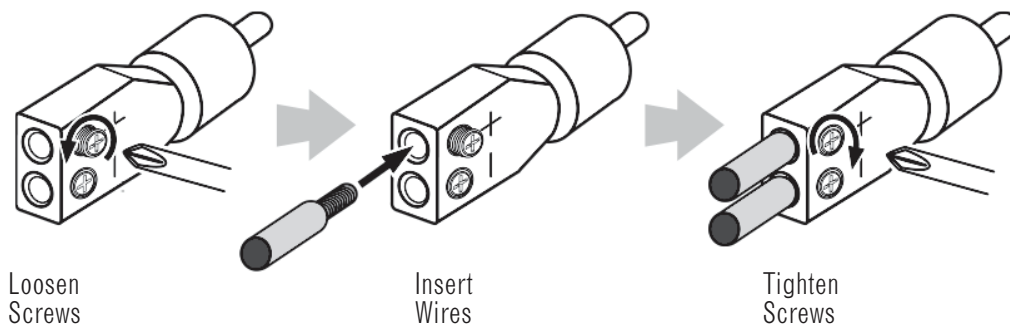
- If your source unit offers preamp outputs, connect to the FRONT, REAR, and/or SUB inputs using RCA patch cables.
- To connect a second amp directly to the **REF-704a** amplifier, run a patch cable from the PRE OUT outputs to the second amp's preamp inputs.

If your car audio system's head unit does not have line-level outputs:

Use the supplied bare wire-to-RCA adapters to connect the REF amplifier's inputs to either the front or the rear speaker outputs of your car audio system's head unit (splice crimps not included).

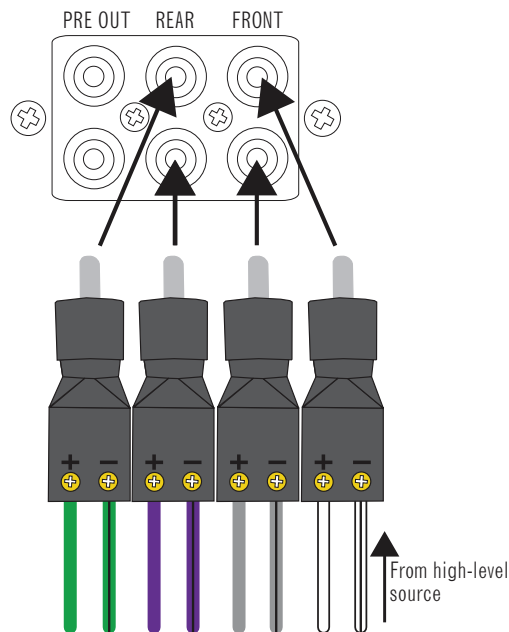
Important: Some factory-installed audio system amplifiers include electronic filters that limit the amount of bass sent to the system's smaller speakers. This filtering will adversely affect the REF amp's performance. To get the most bass possible from your REF amp, splice the bare wire-to-RCA adapters into the factory system speaker outputs that are connected to the system's largest speakers (the ones designed to make the most bass).

Use a small phillips screwdriver to loosen the adapter's set screws and insert the speaker wires into the holes on the back of the adapter. Tighten the set screws to secure the wires.



INFINITY REFERENCE

Always connect the (+) speaker wire to the adapter's (+) terminal and the (-) speaker wire to the adapter's (-) terminal. When all wires are connected, plug the adapters into the REF amplifier's FRONT (and REAR, if using the 4-channel amplifier) preamp inputs.



7. Input level:

Use this switch along with the gain control to set the REF amplifier's input level. If using an aftermarket radio's RCA-level outputs, set the Input Level switch to the "LO" position. If using high-level outputs, start the control-setting process with the Input Level switch set in the "HI1" position.

Note: If you have connected your REF amplifier to a factory audio system's speaker outputs, the audio signal may fail to play. If this happens, change the Input Level switch to the "HI2" position. The "HI2" position includes a circuit designed to fool this type of factory audio system into "seeing" a speaker connected to its input.

Important: The "HI2" setting should never be used when the REF amplifier is connected to an aftermarket head unit's line-level (RCA-type) outputs.

8. Crossover filter selectors (X-OVER):

Crossover-filter selectors (REF-704a and REF-4555a only; REF-551a filter is low pass only).

- LP: Low pass. Choose this setting if you're connecting a subwoofer(s), or want to provide a low-pass filter for separate mid-bass speakers.
- FULL: Full range. Choose this setting if you're connecting full-range speakers, and not using a subwoofer in your system.
- HP: High pass. Choose this setting to prevent low bass from reaching midrange or full-range speakers when you're using a subwoofer in your system.

(See **Setting the crossovers** in Chapter 4.)

9. Input level selectors (GAIN):

Input level controls. Use these to match the amp's input sensitivity to the output level of your source unit. See 17 for a recommended adjustment procedure.

(See **Setting the input levels** in Chapter 4 for a recommended adjustment procedure.)



10. Crossover-filter frequency controls (FREQ):

Crossover-filter frequency controls. Turn the dials to the left to lower the crossover point, and to the right to raise the crossover point. Crossover point settings vary by listener preference.

11. HALOsonic:

Lets you plug in an optional cable into your vehicle's HALOsonic system (if present).

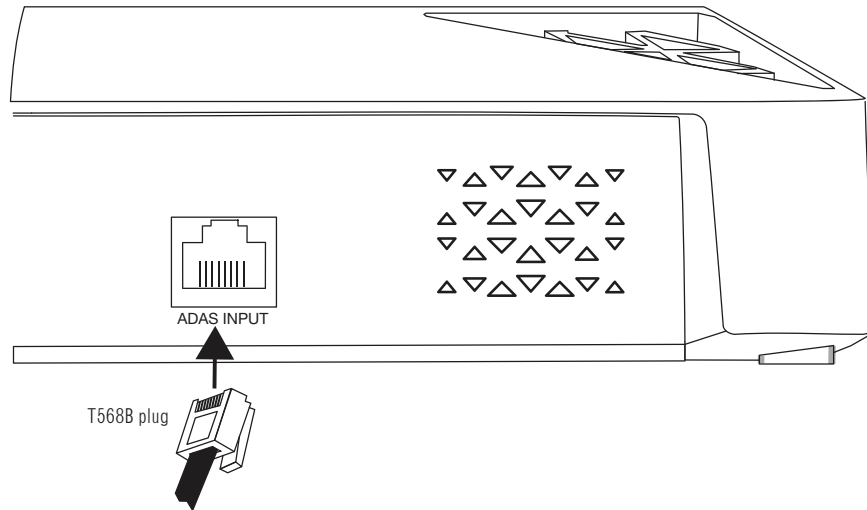
Also functions as a full-range mixing input.

12. ADAS ASSIGN (REF-704a and REF-4555a models only):

If you've connected the amp to an Advanced Driver Assistance System (see 13, next), this dial allows you to select the speaker over which you'll hear ADAS messages. Turn the dial to FL for the front left speaker, FR for the front right, RL for the rear left, and RR for the rear right.

13. ADAS INPUT (REF-704a and REF-4555a only):

Lets you plug a T568B cable (sold separately) from an optional Advanced Driver Assistance System into the amp's RJ45 input jack. Also functions as a priority switching input.

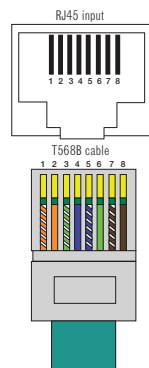


When the system issues a warning or message, the amp will mute the music and play it over the speaker you've selected with the ADAS ASSIGN dial (see 12, previous).

ADAS input channel sequence:

1. FL+ 2. FL- 3. FR+ 4. RL- 5. RL+ 6. FR- 7. RR+ 8. RR-

Four group signal: 1-2, 3-6, 5-4, 7-8



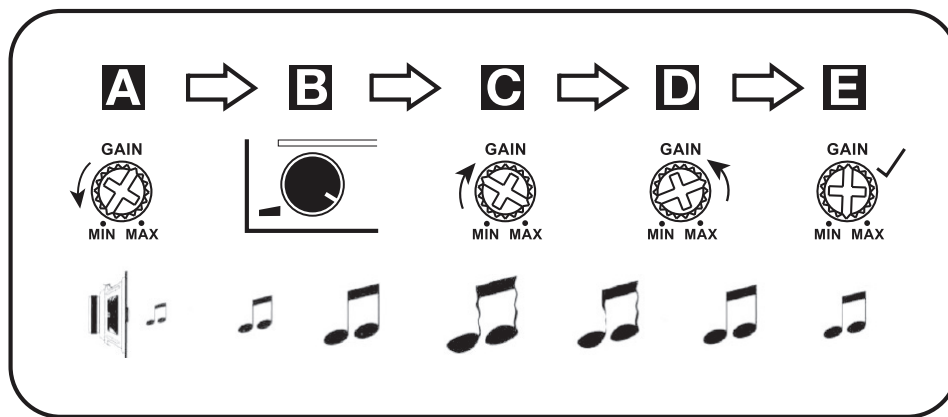
INFINITY REFERENCE

CHAPTER 3: OPERATIONS

Setting the input levels:

To match your amplifier's input sensitivity (gain) to your source unit's output level, we recommend the following procedure:

- A. Turn both input level controls counterclockwise to MIN (minimum).
- B. Play a dynamic music track through your source unit. Turn the source unit's volume control to the 3/4 position.
- C. Turn the front input level control dial clockwise towards MAX until you hear distortion in the music (it's no longer clear).
- D. Slowly turn the front level input control dial counterclockwise until the music sounds clear again.
- E. Your front input level is now correctly set. Repeat this process with the rear channels.



Setting the crossover

Properly setting crossover filter selectors optimizes frequency distribution for efficient speaker operation and best sound.

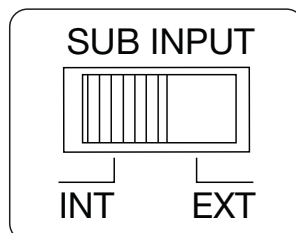
Step 1: Use the slider controls to select low-pass (LP), FULL, or high-pass (HP).

- LP: Low pass. Choose this setting if you are connecting a subwoofer(s) or want to provide a low-pass filter for separate mid-bass speakers.
- FULL: Full range. Choose this setting if you are connecting full-range speakers and are not using a subwoofer in your system.
- HP: High pass. Choose this setting to prevent low bass from reaching midrange or full-range speakers when you are using a subwoofer in your system.

Step 2: Use crossover-filter frequency controls to adjust crossover point settings for coaxial speakers and subwoofers to suit listener preference. Turn the dials to the left to lower the crossover point and to the right to raise the crossover point. Exact crossover settings for coaxial speakers and subwoofers finally depend on your listening preferences. **NOTE:** crossover point does not apply in FULL mode.

Adjusting the subwoofer:

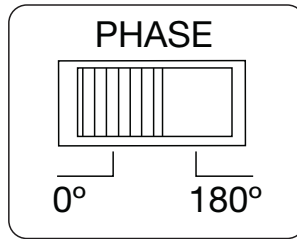
Select INT if you're connecting a subwoofer to the REF-4555a amplifier, but your source unit *does not* feature a subwoofer output (this will send a summed audio signal to the subwoofer). If your source unit *does* feature a subwoofer output, select EXT to connect to that output.





Selecting the subwoofer phase

You can choose a subwoofer phase output of 0° or 180° . To check your sub's phase, play music with lots of bass and listen as another person slowly flips the 0/180 degree phase switch back and forth. The correct setting is the one that gives you more bass. If you don't detect any real difference, leave the switch in the 0 setting.



Boosting the bass

Turn the dial lockwise to increase the bass output from 0 dB to +9 dB.



CHAPTER 4: TROUBLESHOOTING

PROBLEM: No audio and POWER INDICATOR is off.

CAUSE and SOLUTION: No voltage at BATT+ and/or REM terminals, or bad or no ground connection. Check voltages at amplifier terminals with VOM.

PROBLEM: No audio and PROTECT INDICATOR flashes every 4 seconds.

CAUSE and SOLUTION: DC voltage on amplifier output. Amplifier may need service; see enclosed warranty card for service information.

PROBLEM: No audio and PROTECT INDICATOR is on.

CAUSE and SOLUTION: Amplifier is overheated. Make sure amplifier cooling is not blocked at mounting location. Verify that speaker-system impedance is within specified limits. Or, there may be voltage greater than 16V (or less than 8.5V) on BATT+ connection. Check vehicle charging system.

PROBLEM: No audio and PROTECT and POWER INDICATORS flash.

CAUSE and SOLUTION: Voltage less than 9V on BATT+ connection. Check vehicle charging system.

PROBLEM: Distorted audio.

CAUSE and SOLUTION: Gain is not set properly. Check INPUT LEVEL setting. Check speaker wires for shorts or grounds. Amplifier or source unit may be defective.

PROBLEM: Distorted audio and PROTECT INDICATOR flashes.

CAUSE and SOLUTION: Short circuit in speaker or wire. Remove speaker leads one at a time to locate shorted speaker or wire, and repair.

INFINITY REFERENCE

PROBLEM: Music lacks dynamics or "punch."

CAUSE and SOLUTION: Speakers are not connected properly. Check speaker connections for proper polarity.

PROBLEM: Amplifier fuse keeps blowing.

CAUSE and PROBLEM: The wiring is connected incorrectly or there is a short circuit. Review installation precautions and procedures in manual. Check wiring connections.

PROBLEM: Engine noise—whining or clicking—in system when the engine is on.

CAUSE and PROBLEM: Amplifier is picking up alternator noise. Turn down gain. Move audio cables away from power wires. Install an alternator noise filter on power line between battery and alternator. Check ground connections on the amplifier since a loose or improper ground is one of the main causes for extraneous noise in your audio system.

CHAPTER 5: SPECIFICATIONS

Model	RMS power @ 4 ohms	RMS power @ 2 ohms	RMS bridged power @ 4 ohms	Total peak power	Frequency response	Maximum signal input	Maximum sensitivity
REF-704a	70W x 4	100W x 4	200W x 2	1000W	10Hz-40kHz	20V	200mV
REF-4555a	45W x 4	65W x 4	130W x 2	1800W	10Hz-40kHz (full range)	20V	200mV
	320W x 1	500W x 1	/		10Hz-320Hz (sub)		
REF-551a	370W x 1	550W x 1	/	1300W	10Hz-320Hz	20V	200mV

Model	Line in signal-to-noise ratio (reference to 1 watt)	THD+ N at rated power (20Hz – 20kHz)	Product dimensions (L x W x D)	Shipping weight (kg)	Fuse size	Operating voltage
REF-704a	≥85dB	≤1%	358 x 185.5 x 55.75 mm 14-1/8" x 7-5/16" x 2-1/4"	4.33kg (9.5lbs)	30A x 2	9-16VDC
REF-4555a	Full: ≥85dB	≤1%	398 x 185.5 x 55.75mm 15-11/16" x 7-5/16" x 2-1/4"	3.26kg (7.2lbs)	30A x 3	9-16VDC
	Sub: ≥80dB					
REF-551a	≥80dB	≤1%	238 x 185.5 x 55.75mm 9-3/8" x 7-5/16" x 2-1/4"	5.01kg (11.0lbs)	30A x 2	9-16VDC



HARMAN International Industries, Inc.
8500 Balboa Boulevard, Northridge, CA 91329 USA
www.infinitiespeakers.com

© 2016 HARMAN International Industries, Incorporated. All rights reserved. Infinity is a trademark of HARMAN International Industries, Incorporated, registered in the United States and/or other countries. The Bluetooth® word mark and logos are registered trademarks owned by Bluetooth SIG, Inc. and any use of such marks by HARMAN International Industries, Incorporated is under license. Other trademarks and trade names are those of their respective owners. Features, specifications and appearance are subject to change without notice.

TR02575_A

Infinity Reference REF-704a/REF-4555a/REF-551a quick-connect guide

Infinity Reference REF-704a/REF-4555a/REF-551a Guide de démarrage rapide

Infinity Reference REF-704a/REF-4555a/REF-551a Guía de inicio rápido

Infinity Reference REF-704a/REF-4555a/REF-551a Guia de Início Rápido

Infinity Reference REF-704a/REF-4555a/REF-551a Guida di avvio rapido

Infinity Reference REF-704a/REF-4555a/REF-551a Kurzanleitung

Infinity Reference REF-704a/REF-4555a/REF-551a Краткое руководство

Infinity Reference REF-704a/REF-4555a/REF-551a Snabbguide

Infinity Reference REF-704a/REF-4555a/REF-551a Pika-aloitusopas

Infinity Reference REF-704a/REF-4555a/REF-551a Przewodnik szybkiego startu

Infinity Reference REF-704a/REF-4555a/REF-551a Snelstartgids

Infinity Reference REF-704a/REF-4555a/REF-551a Hurtigstartsguide

Infinity Reference REF-704a/REF-4555a/REF-551a クイックスタートガイド

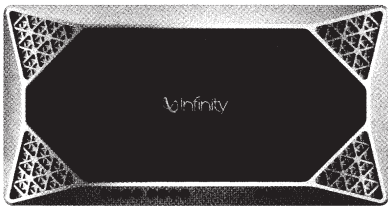
Infinity Reference REF-704a/REF-4555a/REF-551a 빠른 시작 가이드

Infinity Reference REF-704a/REF-4555a/REF-551a 快速入门指南

Infinity Reference REF-704a/REF-4555a/REF-551a 快速入門指南

Infinity Reference REF-704a/REF-4555a/REF-551a Panduan Memulai Cepat

Infinity Reference REF-704a/REF-4555a/REF-551a Hızlı başlangıç kılavuzu



EN

FR

ES

PT

IT

DE

RU

SV

FI

PL

NL

DA

JP

KO

CHS

CHT

ID

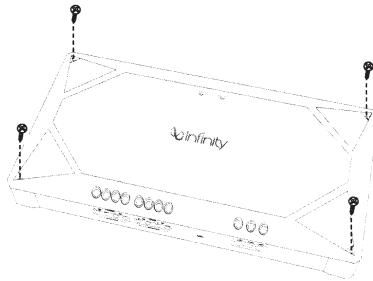
TR

Infinity Reference REF-704a/REF-4555a /REF-551a Quick- Connect Guide



IMPORTANT: This quick-connect guide contains information about mounting and connecting your amplifier. For complete installation, connection, setup and adjustment information, download the full owner's manual at www.infinityspeak.com.

1. Mounting the amplifier

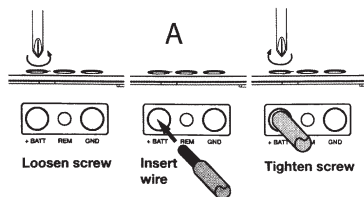


IMPORTANT: Disconnect the vehicle's negative (-) battery terminal before beginning the installation.

- Always wear protective eyewear when using tools.
- Check clearances on both sides of a planned mounting surface. Be sure that screws or wires will not puncture brake lines, fuel lines, or wiring harnesses, and that wire routing will not interfere with the safe vehicle operation.
- When making electrical connections, make sure they are secure and properly insulated.
- If you must replace any of the amplifier's fuses, be sure to use the same type of fuse and current rating as that of the original.
- To keep the amplifier cool, choose a location that provides enough air circulation, such as under a seat or in the trunk.
- Do not mount the amplifier with the heatsink facing downward, as this interferes with cooling.
- Mount the amplifier so that it will not be damaged by the feet of backseat passengers or shifting cargo in the trunk, and so that it remains dry.
- Using the amplifier as a template, mark the locations of the mounting holes on the mounting surface.
- Drill pilot holes in the mounting surface.
- Attach the amplifier to the mounting surface with four appropriate mounting screws (not included). Recommended: #8 Phillips-head sheet metal screws.

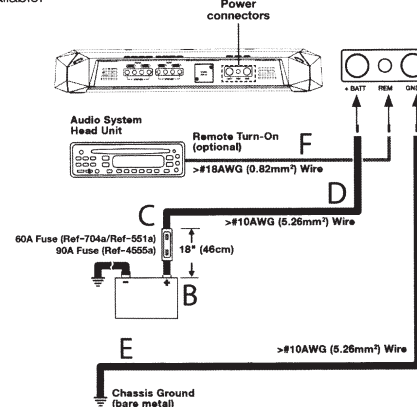
NOTE: You may find it more convenient to make all of the connections to the amplifier before you permanently mount it.

2. Power and ground connections



- Use a Phillips screwdriver to loosen each connector's set screw, insert the bare wire, and tighten the set screw to secure the wire in the connector.
- Connect a wire (minimum 10AWG) directly to the battery's positive (+) terminal.
- Install a fuse holder for a 60A fuse (REF-704a and REF-551a) or 90A fuse (REF-4555a) on this wire within 18" (46cm) of the battery's (+) terminal. Do not install the fuse in the holder until you have made all wiring connections.

- Route the power wire to the amplifier's location and connect it to the amplifier's +12V terminal. Be sure to use appropriate grommets whenever routing wires through the firewall or other sheet metal. IMPORTANT: Failure to adequately protect the positive wire from potential damage may result in a vehicle fire.
- Connect a wire (minimum 10AWG) from the amplifier's GND terminal directly to a solid point on the vehicle's chassis. Use sandpaper to clear the paint from the metal surface at the chassis location. Use a star-type lock washer to secure the wire.
- Connect a wire (18AWG) from the amplifier's REM terminal to the stereo's remote turn-on lead, if available.

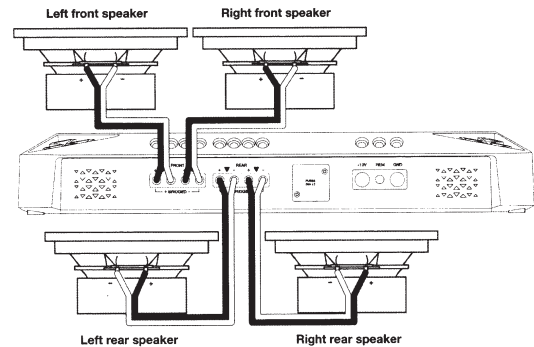


3. Reference REF-704a speaker connections: 4-channel operation

Always connect the (+) speaker terminal on the amplifier to the (+) terminal on the speaker, and the (-) speaker terminal on the amplifier to the (-) terminal on the speaker.

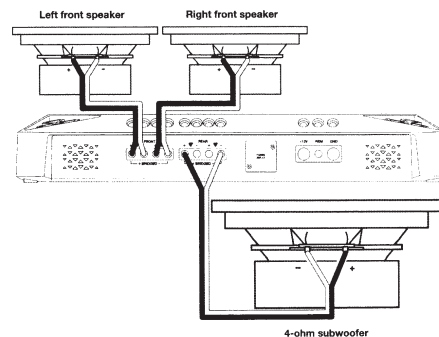
IMPORTANT: Make sure the (+) and (-) bare wires do not touch each other or the other terminal at both the amplifier terminals and speaker terminals. Touching wires can cause a short circuit that can damage the amplifier.

Minimum speaker impedance: 2 ohms each



4. Reference REF-704a speaker connections: 3-channel operation

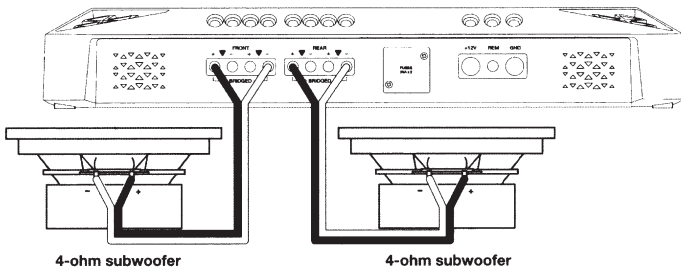
Minimum speaker impedance: 2 ohms each (left and right speakers); 4 ohms (subwoofer)



NOTE: You can connect two 2-ohm subwoofers in series to maintain the required 4-ohm minimum impedance for the subwoofer channel.

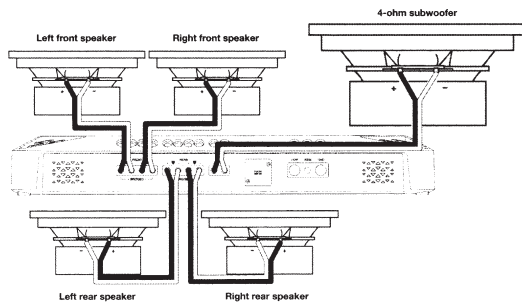
5. Reference REF-704a speakers connections: 2-channel operation

Minimum speaker impedance: 4 ohms each



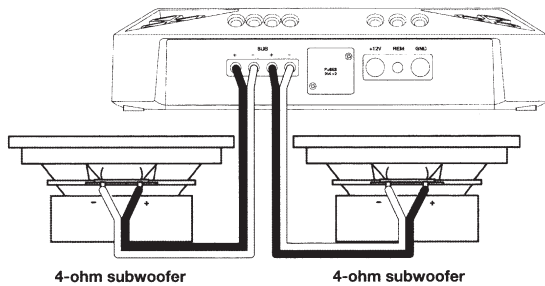
6. Reference REF-4555a speaker connections

Minimum speaker impedance: 2 ohms each
Minimum subwoofer impedance: 2 ohms

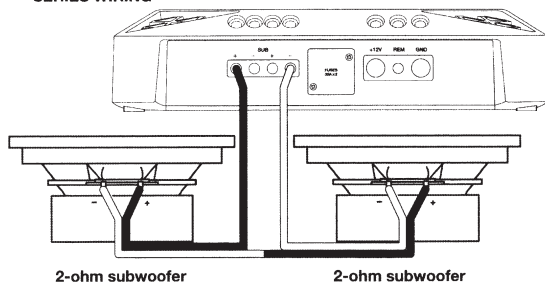


7. Reference REF-551a speaker connections

Minimum speaker impedance: 2 ohms (single subwoofer); 4 ohms (2 subwoofers)



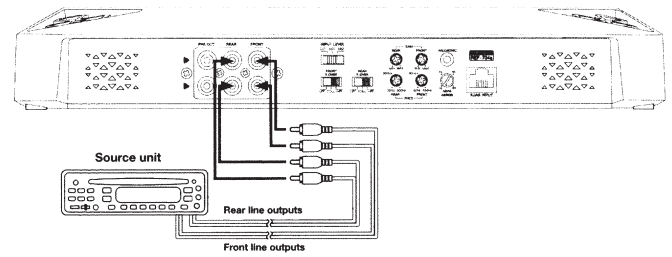
SERIES WIRING



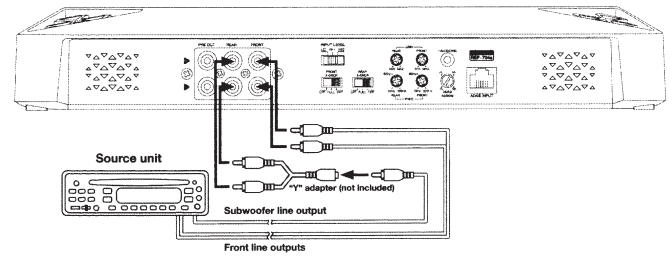
NOTES:

- You can connect two subs to the parallel speaker connectors.
- You can connect a single sub to either set of speaker connectors.
- You can connect two 2-ohm subs to one of the sets of connectors in series to be above the required 2-ohm minimum impedance.

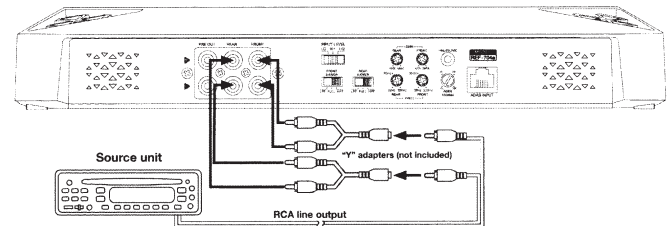
8. Reference REF-704a preamp input connections: 4-channel operation



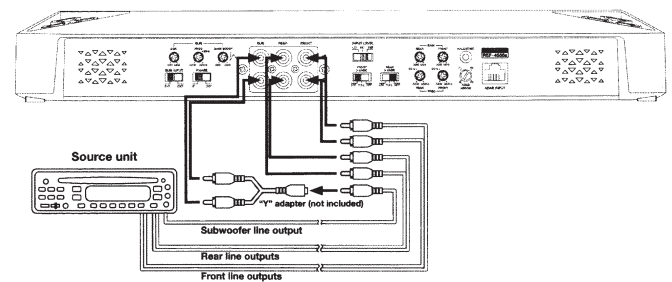
9. Reference REF-704a preamp input connections: 3-channel operation



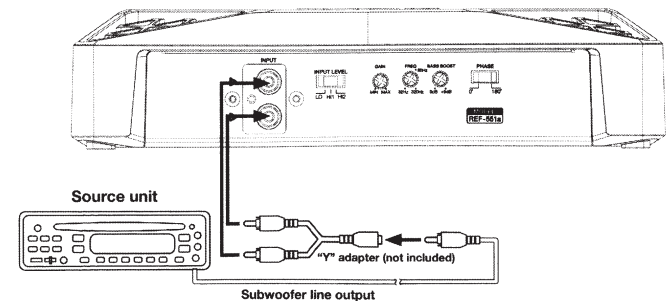
10. Reference REF-704a preamp input connections: 2-channel operation



11. Reference REF-4555a preamp input connections



12. Reference REF-551a preamp input connections



Торговая марка	: Infinity
Назначение товара	: АВТОМОБИЛЬНЫЙ УСИЛИТЕЛЬ
Изготовитель	: ХАРМАН ИНТЕРНЕТНЛ ИНДАСТРИЗ ИНКОРПОРЕЙТЕД, США, 06901 КОННЕКТИКУТ, г.СТЭМФОРД, АТЛАНТИК СТРИТ 400, ОФИС 1500
Страна происхождения	: Китай
Импортер в Россию	: ООО "ХАРМАН РУС СиАйЭс", РОССИЯ, 127018, г.МОСКВА, УЛ. ДВИНЦЕВ, Д.12, КОРПУС 1
Гарантийный период	: 1 год
Информация о сервисных центрах	: www.harman.com/ru тел. +7-800-700-0467
Срок службы	: 5 лет
Срок хранения	: не ограничен
Условия хранения	: Стандартные при нормальных значениях климатических факторов внешней среды
Номер документа соответствия	: Товар сертифицирован EAC
Дата производства	: Дата изготовления устройства определяется по двум буквенным обозначениям из второй группы символов серийного номера изделия, следующих после разделительного знака «-». Кодировка соответствует порядку букв латинского алфавита, начиная с января 2010 года: 000000-МУ0000000, где «М» - месяц производства (А - январь, В - февраль, С - март и т.д.) и «У» - год производства (А - 2010, В - 2011, С - 2012 и т.д.).

