

Elite 6W-RC



6 1/2" 165 W-RC woofer



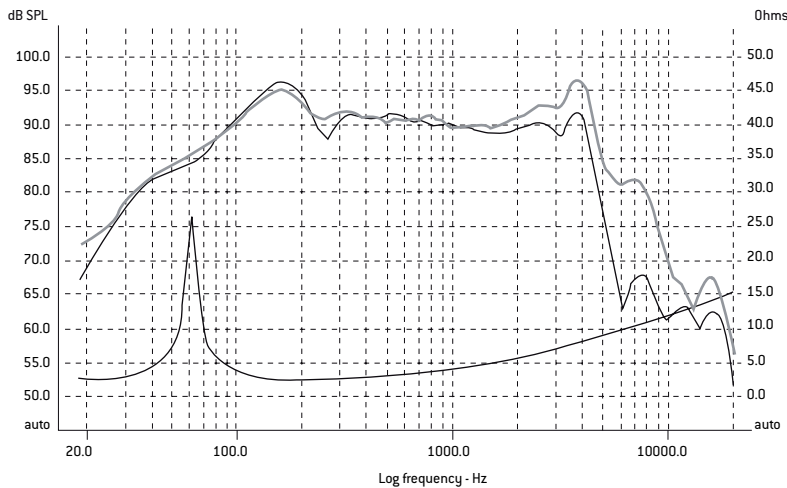
- High power handling
- Aluminum basket
- W composite sandwich cone

SPECIFICATIONS

Nominal power	80W
Maximum power	160W
Sensitivity	93dB
Cone	W
Surround	Butyl
Nom. impedance	2Ohm
DC resistance	1.7Ohm
VC diameter	32mm
VC height	15mm
Former	Kapton®
Layers	2
Wire	Copper
Inductance	0.11 mH
Xmax	5.5
Magnet dxh	90x17
Magnet weight	1550g
Flux density	1 T
Gap height	6 mm
Net weight	1800 g

FREQUENCY RESPONSE / IMPEDANCE

On axis, 0° and 30° off axis frequency response

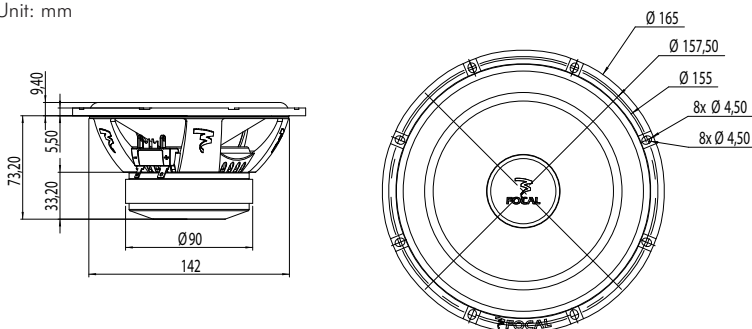


PARAMETERS

Fs	60,85 Hz
Vas	3.68 liters
Qts	0.56
Qes	0.6
Qms	10.43
Re	1.7Ohm
Sd	132.73cm ²
Cas	6.89E-08m ⁵ /N
Mas	99,27Kg/m ⁴
Ras	3639.09Ohm, ac
Cms	3.91E-04m/N
Mms	17.49g
Rms	0.641Kg/s
Ces	923.13mF
Les	7.41mH
Res	29.55Ohm
BI	4.35N/A
SPL	87.45 dB/W/m

MECHANICAL DRAWING

Unit: mm



Load	V (l)	F-3 (Hz)
Sealed	30	75

Elite TB 872



Utopia Be® tweeter

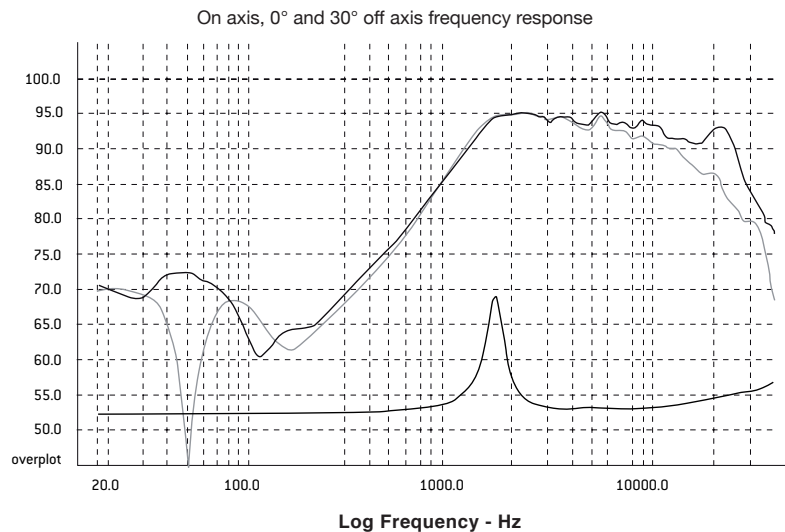


- Pure Beryllium inverted dome
- High power Neodymium ring magnet
- Thick cast zinc alloy mounting

SPECIFICATIONS

Nominal power	20W
Maximum power	200 W
Sensitivity	94.1 dB
Cone	Beryllium
Surround	Poron®
Nom. impedance	8Ohm
DC resistance	6Ohm
VC diameter	20 mm
VC height	1.4mm
Former	Aluminum
Layers	2
Wire	Aluminum
Inductance	-
Xmax	-
Magnet dxh	Neodymium
Magnet weight	-
Flux density	2.1 T
Gap height	2.5 mm
Net weight	-

FREQUENCY RESPONSE / IMPEDANCE



PARAMETERS

Fs	1294 Hz
Vas	-
Qts	-
Qes	-
Qms	-
Re	6Ohm
Sd	7.07cm ²
Cas	-
Mas	-
Ras	-
Cms	-
Mms	-
Rms	-
Ces	-
Les	-
Res	-
Bl	-
SPL	93 dB/W/m

MECHANICAL DRAWING

Unit: mm

