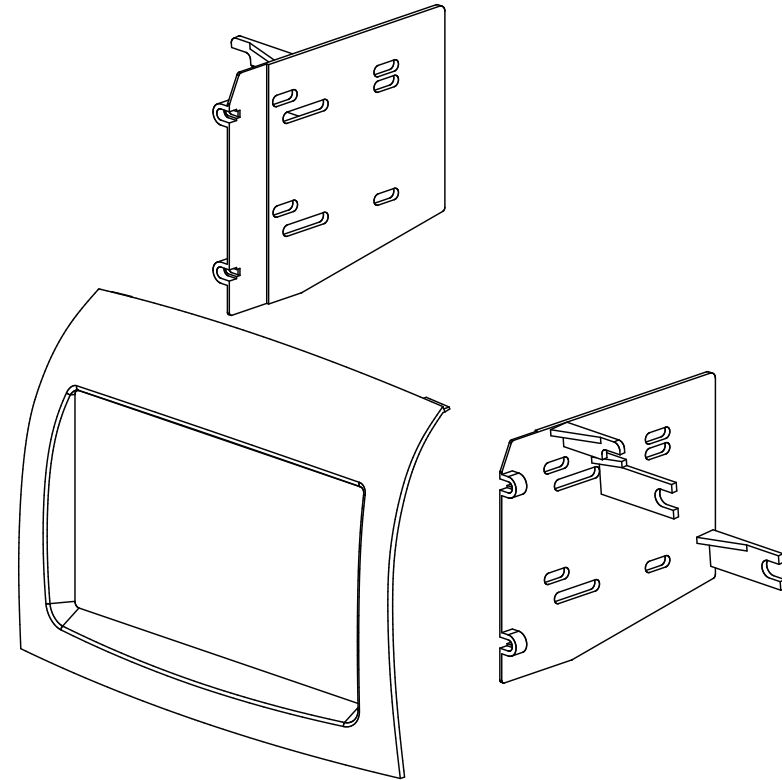


For information about other American International automotive accessories visit our website at:

<http://www.americaninternational.net>



**American
International**
Car Stereo Installation Kits & Accessories



TOYK984 Mounting Kit



American International

Automotive Products Division

1040 Avenida Acaso • Camarillo, CA 93012, U.S.A.

USA Sales (800) 336-6500

Canada Sales (888) 922-3006 • USA Fax (805) 388-7950

VEHICLE APPLICATIONS

Toyota

2004-10

SIENNA VAN

CUSTOMER HELP LINE

USA 800-323-4329 • Canada 800-245-8777

iTOYK984

TOOLS REQUIRED

1. 10mm socket with ratchet or 10mm nut driver
2. #1 bit Phillips screwdriver
3. #2 bit Phillips screwdriver
4. Plastic trim removal tool (optional)

2004-2010 TOYOTA SIENNA VAN

DASH DISASSEMBLY INTRUCTIONS

1. Carefully pry outward the Left and Right thin side trims located beside the Radio and Climate controls, disconnect the harnesses and remove both trims.
2. Carefully pry upward (starting at the back edge) the center channel grill cover located above the factory radio and remove.
3. Remove the (4) 10 mm bolts securing the factory radio to the sub-dash.
4. Carefully pull radio forward, disconnect the radio wire harnesses and antenna lead and remove radio.

KIT ASSEMBLY INTRUCTIONS

1. Insert IMB-984 L&R into rear of kit & attach using 4 screws supplied w/kit.
2. Insert ISO mountable radio between ISO mount brackets and loosely attach to sides of radio using screws provided with radio when possible or hardware included with kit.
3. Slide radio component forward or backward for desired look and tighten screws.
4. Attach a rear support bracket to the rear of the new radio and adjust as necessary to support the weight of the radio (optional).

