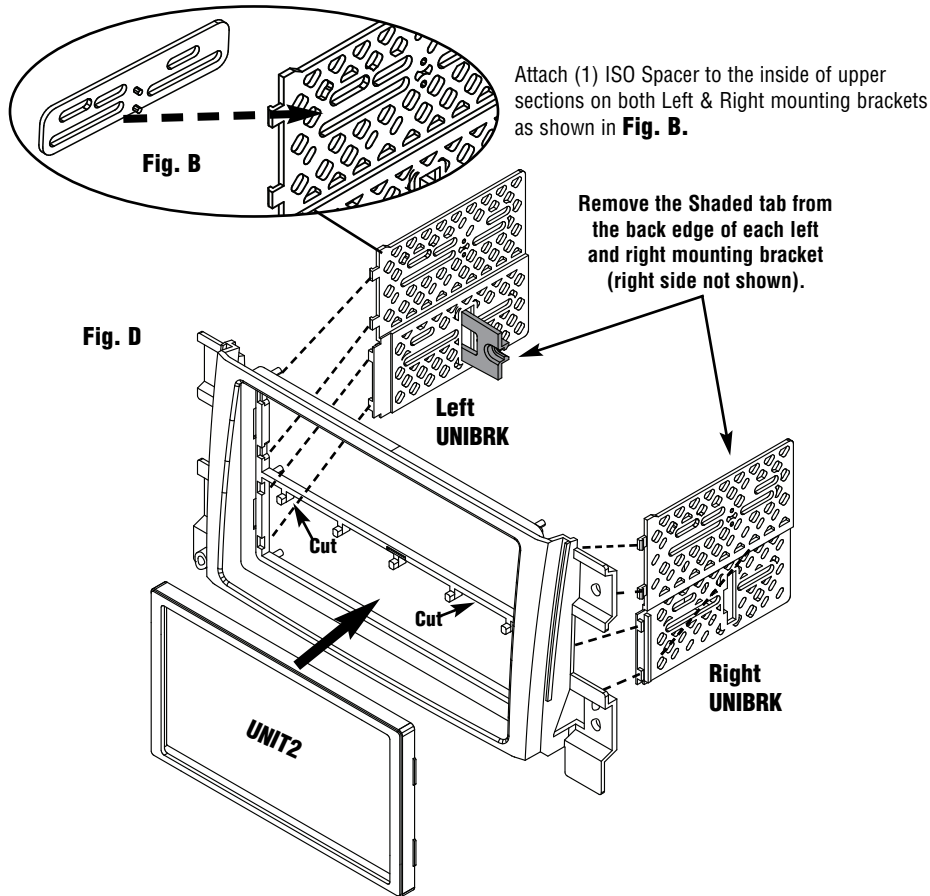


## KIT ASSEMBLY INSTRUCTIONS

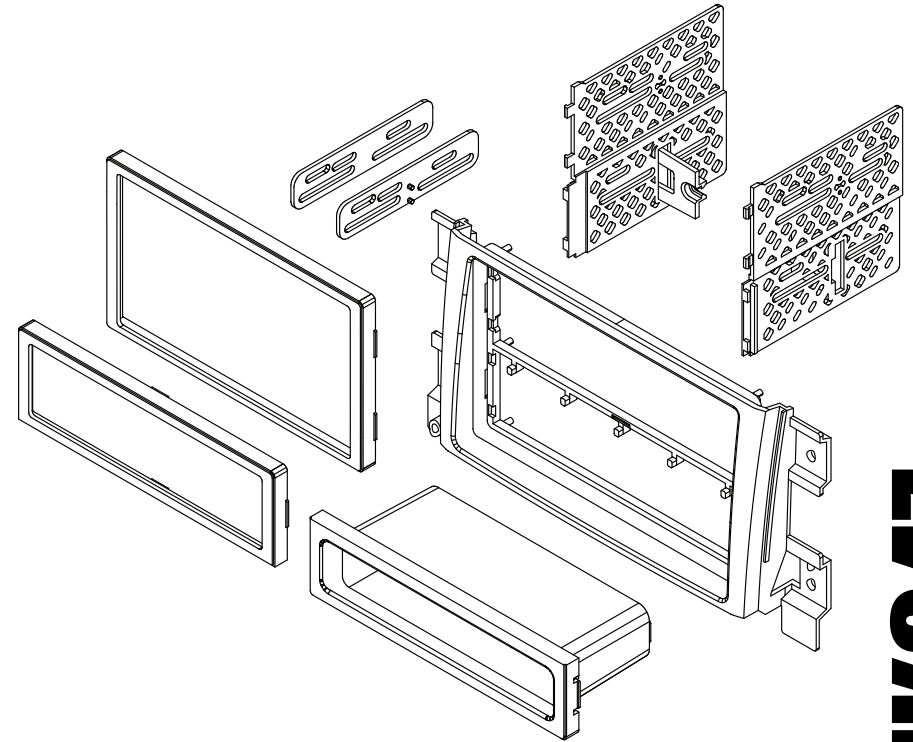
### Double DIN Mount Applications

1. Remove the Shaded tab from the back edge of each left and right mounting bracket (right side not shown).
2. Cut and remove center rib from main bracket and file smooth.
3. Attach the left and right side brackets to the main bracket (See Figure D).
4. Insert ISO mountable radio between ISO mount brackets and loosely attach to sides of radio using screws provided with radio when possible or hardware included with kit.  
**NOTE:** Use longer screws in kit for upper radio location.
5. Slide radio component forward or backward for desired look and tighten screws.
6. Attach a rear support bracket to the rear of the new radio and adjust as necessary to attach to the rear support stud located on the back of the pocket using the small phillips screw supplied with kit (optional). Phillips screw supplied with kit (optional).

**NOTE:** ISO trim ring (UNIT2) may be used in place of after-market radio's trim rings. For ISO mount applications, mount after-market radio components to side brackets using screws provided with radio when possible or hardware included with kit.



**American  
International**  
Car Stereo Installation Kits & Accessories



**SUZK947 Mounting Kit**

### VEHICLE APPLICATIONS

Suzuki  
2006-13 GRAND VITARA

**CUSTOMER HELP LINE**  
USA 800-323-4329 • Canada 800-245-8777

iSUZK947

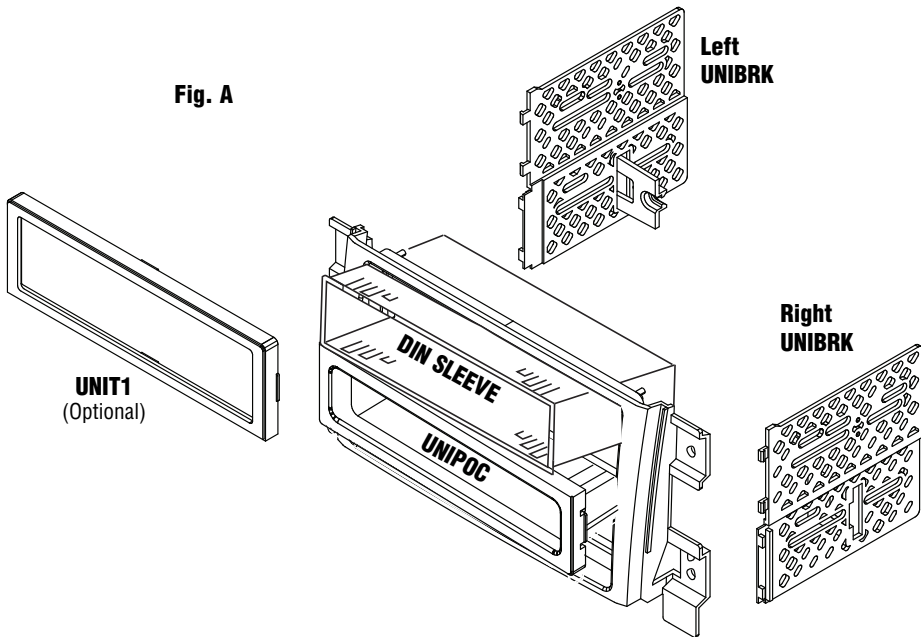
## DASH DISASSEMBLY INSTRUCTIONS

1. Unsnap and remove center dash trim pieces from both sides of the radio, from the shifter to the air vents.
2. Remove (6) Phillips screws from the radio and climate controls.
3. Remove radio and climate controls. Unplug all harnesses and antenna connections. Remove (2) Phillips screws holding the radio to the climate controls.

## KIT ASSEMBLY INSTRUCTIONS

### Single DIN Mount Applications

1. Attach the left and right side brackets to the main bracket.
2. Insert pocket (part # UNIPOC) into lower section of the main frame.
3. Attach left and right side brackets to the rear of the pocket using screws supplied.
4. Insert DIN sleeve from your new radio into the upper section of the installation kit.
5. Depress the tabs from inside the sleeves opening upward, outward, and downward to secure sleeve to the installation kit.
6. Install radio into sleeve and lock into place.
7. Attach a rear support bracket to the rear of the new radio and adjust as necessary to attach to the rear support stud located on the back of the pocket using the small phillips screw supplied with kit (optional).



## KIT ASSEMBLY INSTRUCTIONS

### Single ISO Mount Applications

1. Attach the left and right side brackets to the main bracket (See Figure C).
2. Insert pocket (part # UNIPOC) into lower section of the main frame.
3. Attach left and right side brackets to the rear of the pocket using screws supplied.
4. Attach (1) ISO Spacer to the inside of upper section on both Left & Right mounting brackets as shown in Fig. B.
5. Insert ISO mountable radio between ISO mount brackets and loosely attach to sides of radio using screws provided with radio when possible or hardware included with kit.  
**NOTE:** Use longer screws in kit for upper radio location.
6. Slide radio component forward or backward for desired look and tighten screws.
7. Attach a rear support bracket to the rear of the new radio and adjust as necessary to attach to the rear support stud located on the back of the pocket using the small phillips screw supplied with kit (optional).

**NOTE:** ISO trim ring (UNIT1) may be used in place of after-market radio's trim rings.

