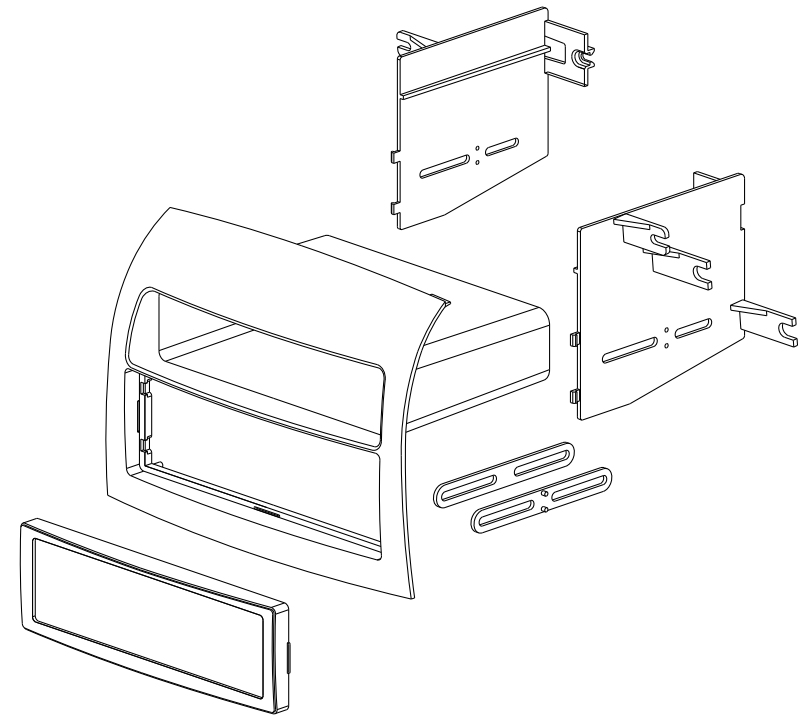


For information about other American International automotive accessories visit our website at:

<http://www.aius.net>



**American
International**
Car Stereo Installation Kits & Accessories



TOYK982 Mounting Kit



American International

WWW.AIUS.NET

2500 East Francis Street Ontario, CA 91761, U.S.A.

USA Sales (800) 336-6500

Canada Sales (888) 922-3006

CUSTOMER HELP LINE

USA 800-323-4329 • Canada 800-245-8777

iTOYK982

VEHICLE APPLICATIONS

Toyota

2004-08 SIENNA VAN

DASH DISASSEMBLY INSTRUCTIONS

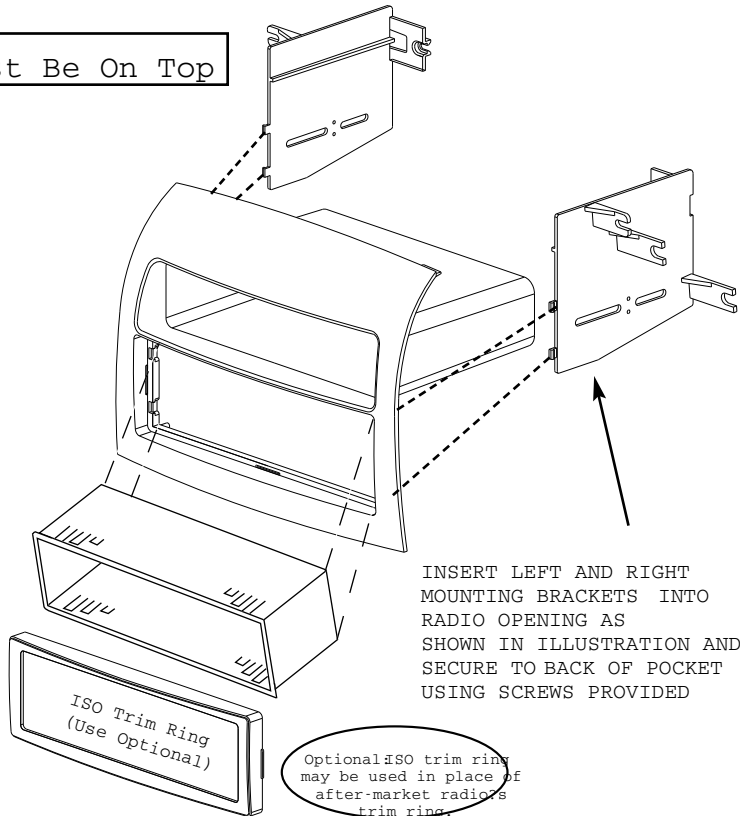
- 1) Carefully pry outward the Left and Right thin side trims located beside the Radio and Climate controls, disconnect the harnesses and remove both trims.
- 2) Carefully pry upward (starting at the back edge) the center channel grill cover located above the factory radio and remove.
- 3) Remove the (4) 10 mm bolts securing the factory radio to the sub-dash.
- 4) Carefully pull radio forward, disconnect the radio wire harnesses and antenna lead and remove radio.

KIT ASSEMBLY INSTRUCTIONS

DIN MOUNT INSTRUCTIONS

- 1) Attach mounting brackets to rear of kit as shown below and attach to rear of pocket using small screws provided with kit.
- 2) Insert DIN sleeve from your new radio into the opening of the installation kit.
- 3) Depress the tabs from inside the sleeves opening upward, outward, and downward to secure sleeve to the installation kit.
- 4) Attach backstrap (not supplied) to rear of radio to support weight of radio.

Pocket Must Be On Top



KIT ASSEMBLY INSTRUCTIONS

ISO MOUNT INSTRUCTIONS

- 1) Attach mounting brackets to rear of kit as shown below and secure to rear of pocket using small screws provided with kit.
NOTE: Removal of trim ring on new radio is required to allow radio to slide in from the rear.
- 2) Slide radio in from behind
- 3) Loosely attach ISO mountable radio to left and right bracket of kit using (4) flat head phillips screws supplied with kit or radio.
- 4) Slide radio forward or backwards for desired look and tighten mounting screws.
- 5) Attach backstrap (not supplied) to rear of radio to support weight of radio.

Pocket Must Be On Top

