

# APH-TY01

Speaker Connection Harness for Select Toyota Vehicles with Factory Amplifiers Equipped with a 10-Pin and 12-Pin Connector

## Introduction and Features

The APH-TY01 simplifies speaker wire connections when adding aftermarket amplifiers. Aftermarket amplifiers can be easily added with no need to cut or modify a vehicle's original wiring. Each pair of wires has been labeled with the corresponding speaker name.

## Installation Notes

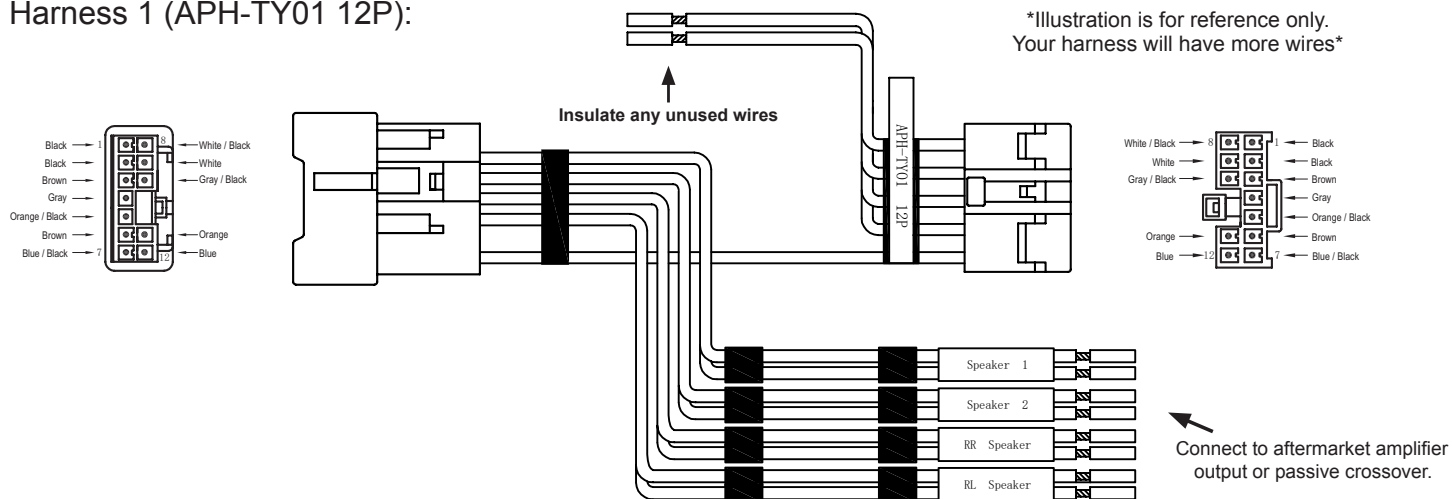
1. It is always best to use a tone generator (PAC part number TL-PTG2) to verify that the tables in this manual, and the labels on the wires, match the wiring in your specific vehicle. This is important as there are instances where different trim levels of the factory system may have the speaker outputs in different locations.
2. Not all applicable vehicles will come equipped with a corresponding speaker for all of the wires populated in our harness. It is important to understand which speakers are equipped in your vehicle.
3. If you are leaving any of the factory speakers connected to the factory amplifier, simply connect the speaker wires (color for color) between the male and female connectors. For example: If you want the rear speakers to be powered by the factory amplifier, simply connect the Green, Green / Black, Purple and Purple / Black wires from the male connector to the Green, Green / Black, Purple and Purple / Black wires from the female connector.
4. For vehicles that lose audio output when there is no load on the speaker outputs of the factory amplifier, PAC load resistors will be required (PAC Part Number LR335 or LR475).

## Installation Steps

1. Locate the vehicle's factory amplifier and disconnect the 10-pin and 12-pin connectors.
2. Connect the APH-TY01 harness to the connectors that were disconnected in the previous step.
3. Connect the male connectors from the APH-TY01 to the amplifier.
4. Connect the longer loose wires from the APH-TY01 to your aftermarket amplifier outputs or passive crossovers according to the tables in this manual.
5. Insulate unused wires in the 10-pin and 12-pin connectors that plug into the factory amplifier side of the APH-TY01.

## Wiring Overview

Harness 1 (APH-TY01 12P):



12-Pin			
Pin Number	Wire Color	Description	Label
1	Black	Pass Through (Ground)	N/A
6	Brown	Pass Through (Ground)	
2	Black	Pass Through	FR Speaker
3	Brown	Pass Through	
4	Gray	Front Right +	Speaker 3
10	Gray/Black	Front Right -	
11	Orange	Speaker 3 +	Speaker 4
5	Orange/Black	Speaker 3 -	
12	Blue	Speaker 4 +	FL Speaker
7	Blue/Black	Speaker 4 -	
9	White	Front Left +	FL Speaker
8	White/Black	Front Left -	



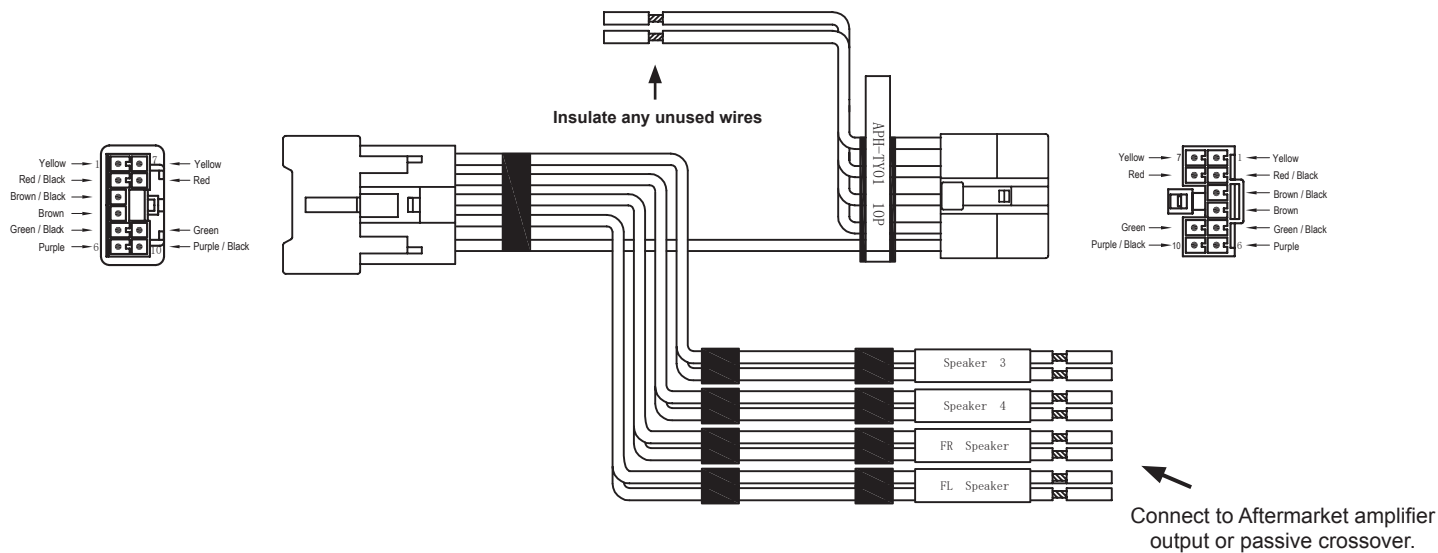
# APH-TY01

Speaker Connection Harness for Select  
Toyota Vehicles with Factory Amplifiers  
Equipped with a 10-Pin and 12-Pin Connector

## Wiring Overview (cont.)

Harness 2 (APH-TY01 10P):

\*Illustration is for reference only.  
Your harness will have more wires\*



10-Pin

Pin Number	Wire Color	Description	Label
1	Yellow	Pass Through (Constant 12v+)	N/A
7	Yellow	Pass Through (Constant 12v+)	N/A
8	Red	Speaker 1 +	Speaker 1
2	Red/Black	Speaker 1 -	
4	Brown	Speaker 2 +	Speaker 2
3	Brown/Black	Speaker 2 -	
9	Green	Rear Left +	RL Speaker
5	Green/Black	Rear Left -	
6	Purple	Rear Right +	RR Speaker
10	Purple/Black	Rear Right -	

