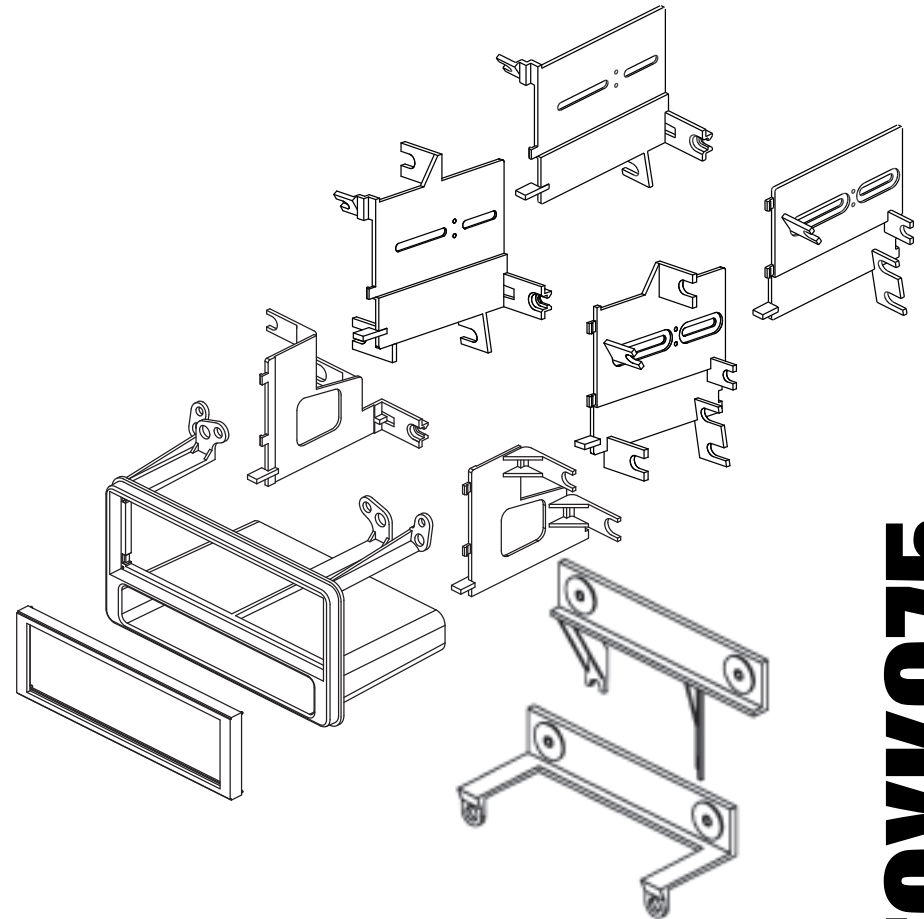


For information about other American International automotive accessories visit our website at:

<http://www.aius.net>



**American
International**
Car Stereo Installation Kits & Accessories



TOYK975 Mounting Kit



American International

WWW.AIUS.NET

2500 East Francis Street Ontario, CA 91761, U.S.A.

USA Sales (800) 336-6500

Canada Sales (888) 922-3006

CUSTOMER HELP LINE

USA 800-323-4329 • Canada 800-245-8777

VEHICLE APPLICATIONS

Toyota

2003-09 4-RUNNER SR 5 & SPORT EDITION w/o RDS RADIO

2000-05 CELICA

2000-05 ECHO

2001-07 HIGHLANDER (Excluding Hybrid w/Factory Navigation)

2005-08 MATRIX

2000-05 MR2 SPYDER

2001-05 RAV4

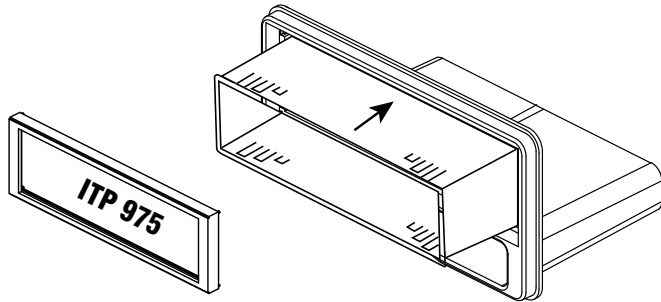
Scion

2011-15 TC

★ Read this page and your vehicle page before attempting to assemble kit

DIN MOUNT INSTRUCTIONS

1. Using the Table of Contents above, turn to the page for your vehicle and prepare the brackets and assemble the kit.
2. Insert DIN sleeve from your new radio into the upper section of the installation kit.
3. Depress the tabs from inside the sleeves opening upward, outward, and downward to secure sleeve to the installation kit.
4. Install radio into sleeve and lock into place.
5. Support rear of radio with back strap.



Optional use Trim Ring (ITP-975) may be used on some radios if desired. Your new radio must have a trim ring around the face of the radio that is designed to be easily removed. Consult your radio owner's manual.

ISO MOUNT INSTRUCTIONS

Consult your page for specific ISO Mount assembly

Note: Some radio faces are larger in size than the ITP-975 Trim Ring allows. You may need to file the opening larger for some radios.

ISO Mount is necessary when the DIN sleeve is not available.

1. Attach ISO mount brackets to rear of kit as shown in your illustration and attach to rear of pocket using small screws provided with kit.
2. Insert ISO mountable radio between ISO mount brackets and loosely attach to sides of radio using screws provided with radio when possible or large wafer head screws supplied with kit. (Be sure the length of the screws DO NOT touch any electrical parts inside radio, some screws may need to be shortened.)
3. Attach ISO trim ring to face of kit.
4. Slide radio forward or backward for desired look and tighten screws.

2011-15 SCION TC

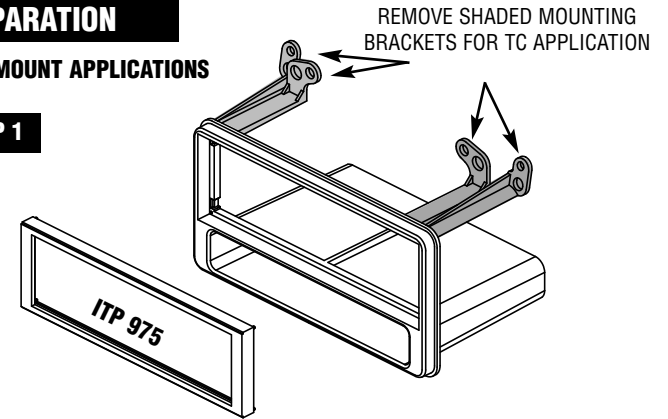
DASH DISASSEMBLY INSTRUCTIONS

1. Carefully pull forward and remove the trim panel surrounding the radio, disconnect the attached wire harness and remove trim panel.
2. Remove the (4) 10mm bolts securing the factory radio to the sub-dash, carefully and pull the radio forward.
3. Disconnect all attached wire harnesses and the antenna lead and remove radio.

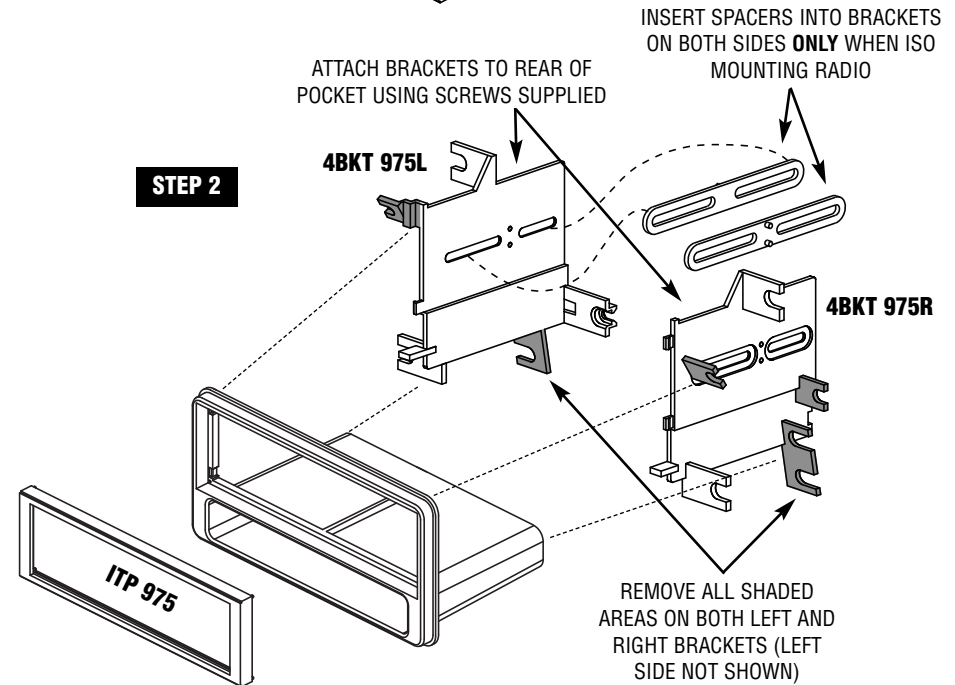
BRACKET PREPARATION

FOR DIN AND ISO MOUNT APPLICATIONS

STEP 1



STEP 2

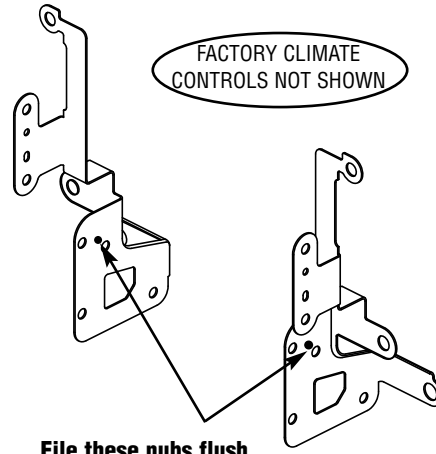


Optional: ISO trim ring may be used in place of after-market radio's trim ring.

KIT AND RADIO INSTALLATION INSTRUCTIONS

STEP 3

FILE THE UPPER FACTORY RADIO LOCATOR NUBS FLUSH WITH THE INSIDE SURFACE OF THE FACTORY RADIO / CLIMATE CONTROL ASSEMBLY BRACKETS



STEP 4

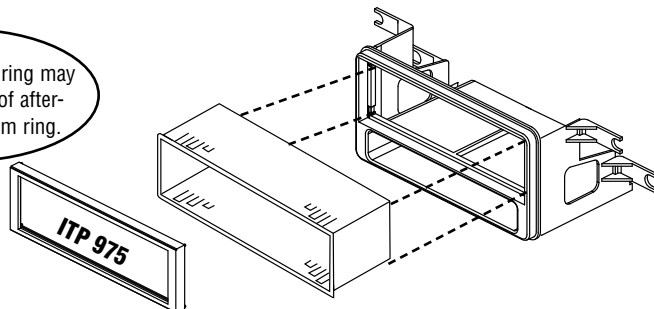
INSERT ASSEMBLED INSTALLATION KIT INTO RADIO/CLIMATE CONTROL ASSEMBLY FROM THE BOTTOM UNTIL THE NOSE OF THE KIT PROTRUDES THROUGH THE FACTORY RADIO OPENING.

NOTE: SIDE BRACKETS OF INSTALLATION KIT MUST LINE UP IN FRONT OF FACTORY MOUNTING BRACKETS

STEP 5

SLIDE DIN RADIO SLEEVE INTO THE RADIO MOUNTING LOCATION OF KIT (SEE ILLUSTRATION BELOW). SECURE SLEEVE INTO KIT BY BENDING THE SLEEVES TABS UPWARD, OUTWARD, AND DOWNWARD.

Optional: ISO trim ring may be used in place of after-market radio's trim ring.

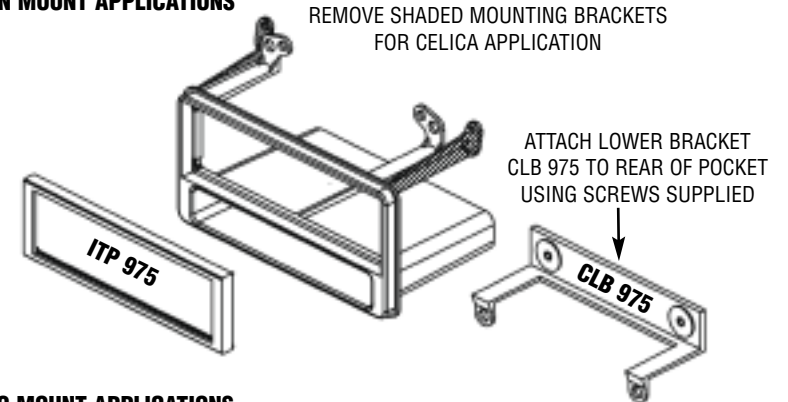


DASH DISASSEMBLY & RADIO REMOVAL INSTRUCTIONS

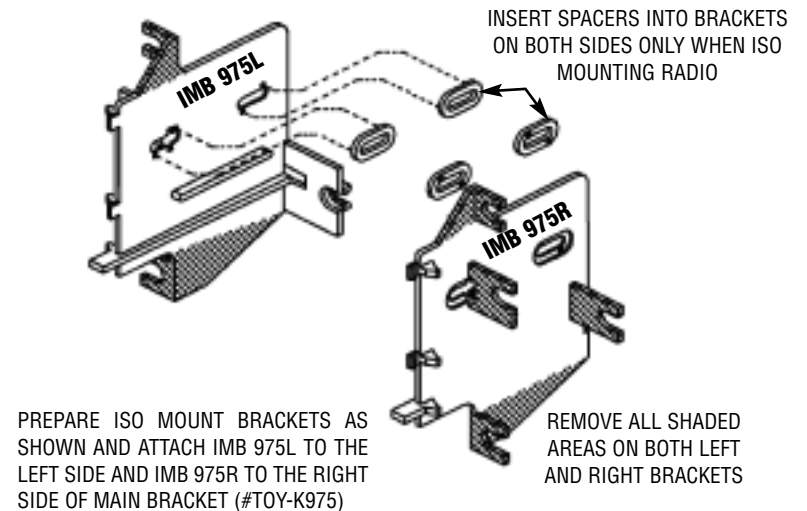
1. Gently lift upward shift lever trim panel and slide back, disconnect harness and remove.
2. Remove the (4) knobs from the A/C-heater controls.
3. Remove the (2) Phillips screws below the A/C-heater controls.
4. Remove the (2) Phillips screws securing the bottom edge of the climate controls to the subdash.
5. Gently pry upward and towards you the radio trim panel/climate control trim bezel and remove.
6. Remove the (4) 10mm bolts securing the radio.
7. Slide the radio forward, disconnect the wire harnesses and antenna lead and remove the radio.

BRACKET PREPARATION

FOR DIN MOUNT APPLICATIONS



FOR ISO MOUNT APPLICATIONS



PREPARE ISO MOUNT BRACKETS AS SHOWN AND ATTACH IMB 975L TO THE LEFT SIDE AND IMB 975R TO THE RIGHT SIDE OF MAIN BRACKET (#TOY-K975)

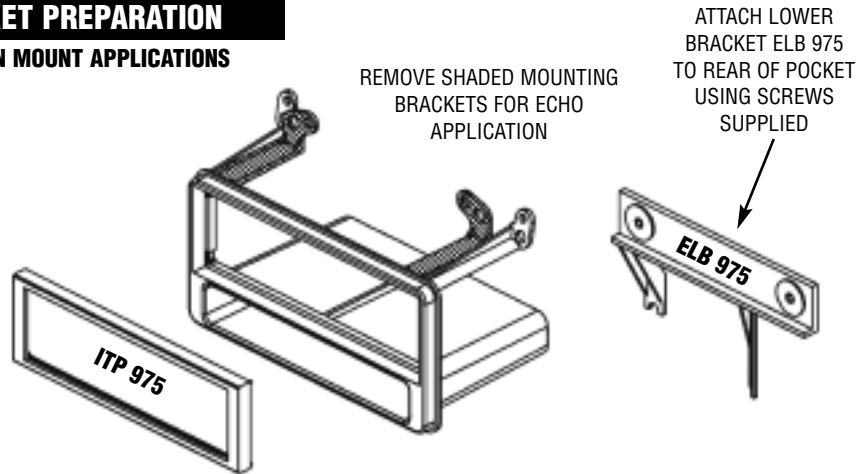
REMOVE ALL SHADED AREAS ON BOTH LEFT AND RIGHT BRACKETS

DASH DISASSEMBLY & RADIO REMOVAL INSTRUCTIONS

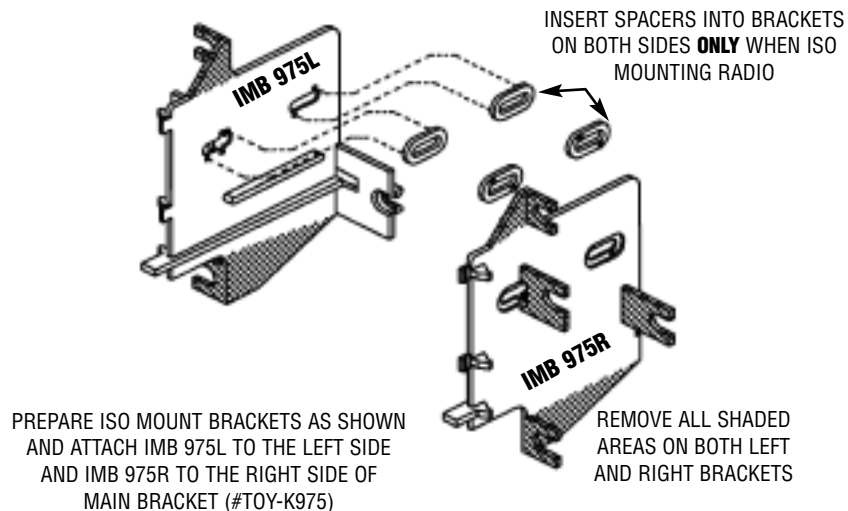
1. Remove the (2) outer A/C-heater control knobs.
2. Remove the (2) Phillips screws from these locations.
3. Gently unsnap the A/C-heater control panel, disconnect the harnesses and remove.
4. Gently unsnap the trim from around the radio and remove.
5. Depress the tabs securing the heater controls in place and pull slightly forward and upward to allow access to the top radio mounting screws.
6. Remove the (4) Phillips screws securing the radio.
7. Gently slide the radio forward and disconnect the wire harnesses and antenna lead and remove the radio.

BRACKET PREPARATION

FOR DIN MOUNT APPLICATIONS



FOR ISO MOUNT APPLICATIONS

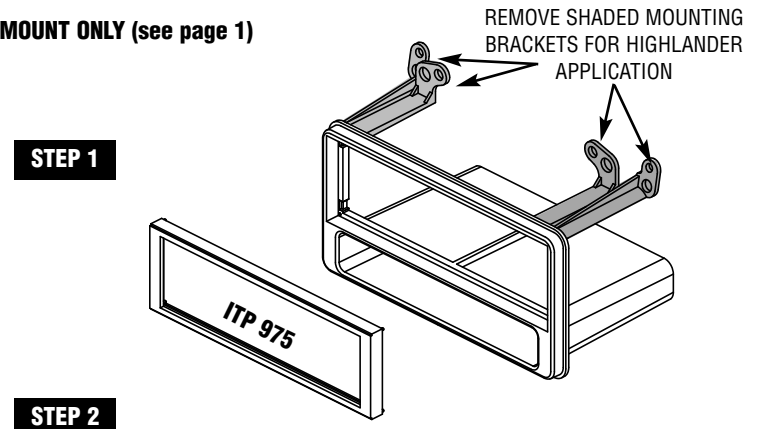


DASH DISASSEMBLY & RADIO REMOVAL INSTRUCTIONS

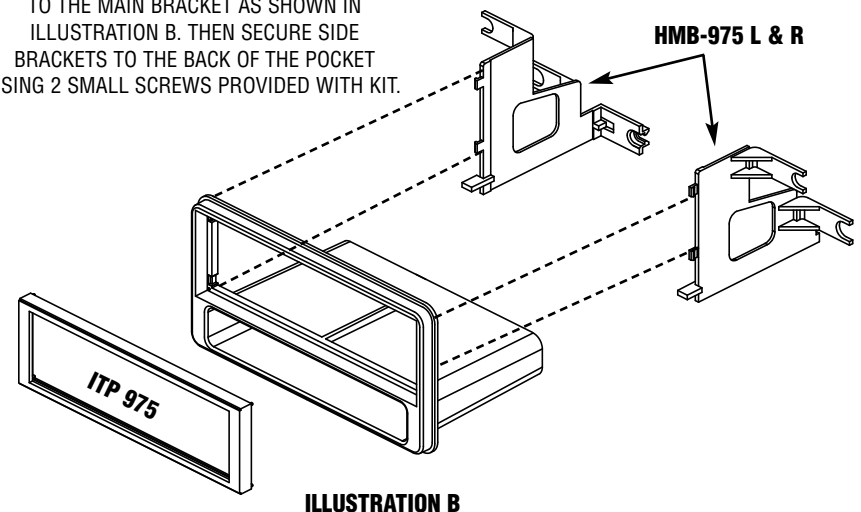
1. Starting from the bottom carefully unsnap and remove trim bezel from around climate controls and radio.
2. Remove (6) 10mm bolts securing entire climate controls / radio to sub-dash.
3. Pull the entire assembly forward, disconnect all harnesses and antenna lead, and remove assembly.
4. Remove the (8) phillips screws securing factory radio to assembly brackets and remove factory radio.

BRACKET PREPARATION

DIN MOUNT ONLY (see page 1)



ATTACH LEFT AND RIGHT HIGHLANDER BRACKETS HMB-975 R AND HMB-975 L TO THE MAIN BRACKET AS SHOWN IN ILLUSTRATION B. THEN SECURE SIDE BRACKETS TO THE BACK OF THE POCKET USING 2 SMALL SCREWS PROVIDED WITH KIT.



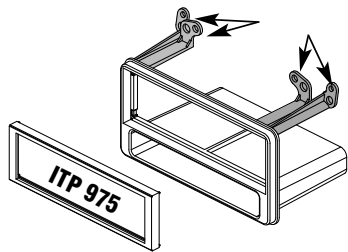
DASH DISASSEMBLY & RADIO REMOVAL INSTRUCTIONS

1. Starting from the bottom of the Radio trim bezel, carefully pry outward on the dash trim bezel to unclip the lower edge and sides.
2. Angle the dash trim bezel outward from the bottom and pull the top of the panel down to unfasten the two upper tabs.
3. Pull the trim bezel forward and disconnect all harnesses attached to the panel and remove panel.
4. Remove the harness clamp attached at the rear of the left factory radio bracket.
5. Remove the (4) 10mm bolts securing the factory radio to the sub-dash.
6. Pull radio forward, disconnect the wire harness and antenna lead and remove radio.

BRACKET PREPARATION

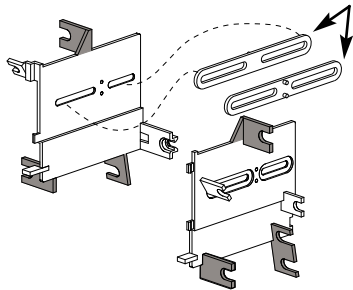
STEP 1

REMOVE SHADED MOUNTING BRACKETS FOR MATRIX APPLICATION



ISO MOUNT BRACKET PREPARATION

INSERT SPACERS INTO BRACKETS ON BOTH SIDES **ONLY** WHEN ISO MOUNTING RADIO



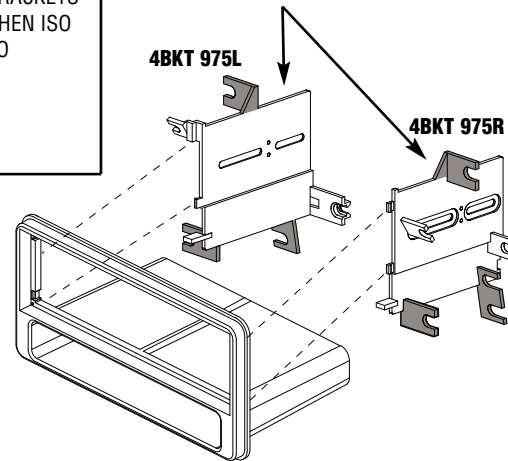
PREPARE ISO MOUNT BRACKETS AS SHOWN AND ATTACH IMB 975L TO THE LEFT SIDE AND IMB 975R TO THE RIGHT SIDE OF MAIN BRACKET (#TOY-K975)

DIN MOUNT INSTRUCTIONS

1. Insert DIN sleeve from your new radio into the radio opening of the installation kit.
2. Depress the tabs from inside the sleeves opening upward, outward, and downward to secure the sleeve to the installation kit.

STEP 2

ATTACH BRACKETS TO REAR OF POCKET USING SCREWS SUPPLIED



REMOVE ALL SHADED AREAS ON BOTH LEFT AND RIGHT BRACKETS (LEFT SIDE NOT SHOWN)

DASH DISASSEMBLY & RADIO REMOVAL INSTRUCTIONS

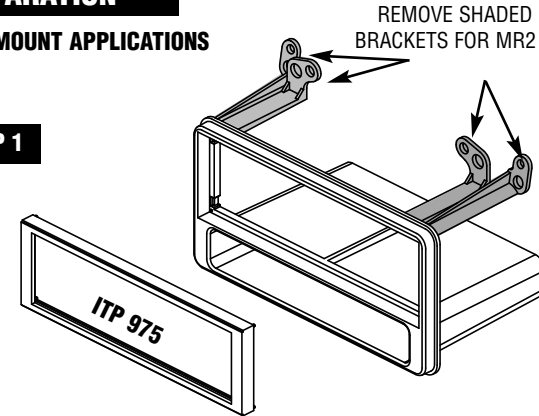
1. Gently remove the screw cover caps from the lower sides of the radio mounting rails.
2. Remove the (2) phillips screws from the base of each side of the main radio support bracket covers, and remove the covers.
3. Remove the (4) phillips screws securing the radio to the sub-dash.
4. Remove the (4) screws securing the Drink Tray/Ashtay assembly, and lower the assembly out of the way.
5. Gently pull the radio forward.
6. Disconnect the harness and antenna lead from the radio and remove the radio.

BRACKET PREPARATION

FOR DIN AND ISO MOUNT APPLICATIONS

REMOVE SHADED MOUNTING BRACKETS FOR MR2 APPLICATION

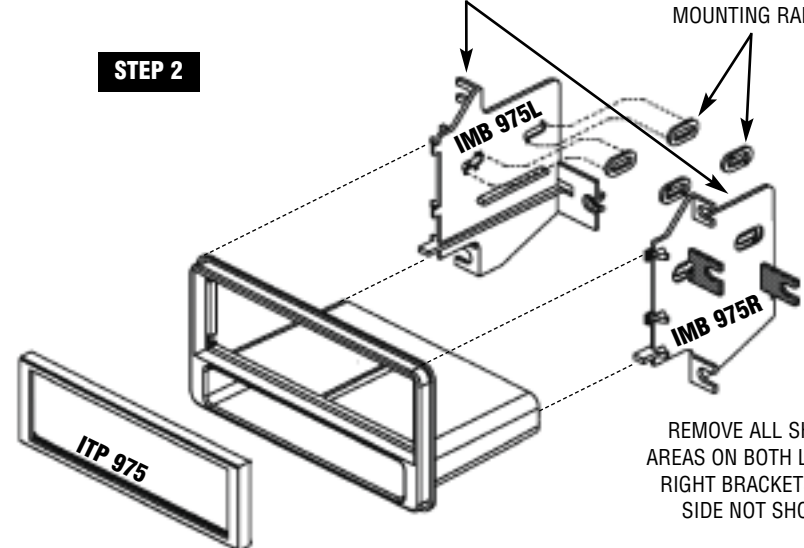
STEP 1



STEP 2

ATTACH BRACKETS TO REAR OF POCKET USING SCREWS SUPPLIED

INSERT SPACERS INTO BRACKETS ON BOTH SIDES **ONLY** WHEN ISO MOUNTING RADIO



REMOVE ALL SHADED AREAS ON BOTH LEFT AND RIGHT BRACKETS (LEFT SIDE NOT SHOWN)

DASH DISASSEMBLY & RADIO REMOVAL INSTRUCTIONS

1. Open the center pocket below the climate controls and remove the (1) 10 mm bolt.
2. Carefully unclip the center console section with ashtray trim, disconnect the harness and remove console section.
3. Carefully lift the center console side covering and remove.
4. Remove the (2) lower 10 mm bolts from the bottom of driver side under dash panel.
5. Carefully pull drivers side under dash panel outward and lay out of the way.
6. Remove the (1) 10mm bolt at the lower edge of the radio trim bezel on the driver side.
7. Unclip the trim from the front of the center console pocket.
8. Carefully pry outward the climate control pod, disconnect the wire harness and remove pod.
9. Remove the (2) 10mm bolts from behind the climate control location.
10. Carefully unclip the entire radio/climate control trim bezel, disconnect all harnesses from bezel and remove.
11. Remove the (2) 10mm bolts securing the factory radio to the sub-dash.
12. Carefully pull radio forward, disconnect all harnesses and antenna leads and remove radio.

KIT ASSEMBLY

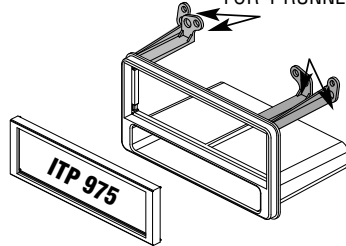
DIN MOUNT INSTRUCTIONS

1. Insert DIN sleeve from your new radio into the radio opening of the installation kit.
2. Depress the tabs from inside the sleeves opening upward, outward, and downward to secure the sleeve to the installation kit.

SIDE BRACKET PREPARATION

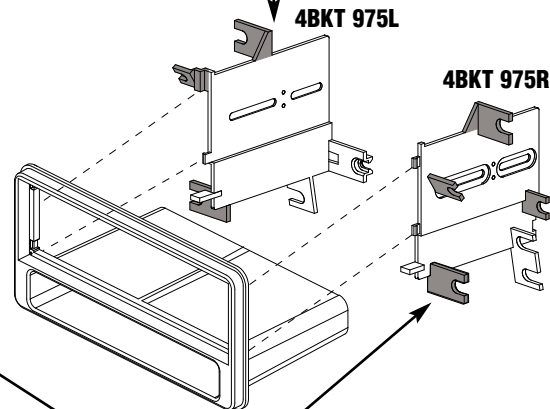
FOR DIN & ISO MOUNT APPLICATIONS

REMOVE SHADED MOUNTING TABS FOR 4-RUNNER APPLICATION



INSERT SPACERS INTO BRACKETS ON BOTH SIDES **ONLY** WHEN ISO MOUNTING RADIO

ATTACH BRACKET TO REAR OF POCKET USING SCREWS SUPPLIED



PREPARE ISO MOUNT BRACKETS AS SHOWN AND ATTACH IMB 975L TO THE LEFT SIDE AND IMB 975R TO THE RIGHT SIDE OF MAIN BRACKET (#TOY-K975)

REMOVE ALL SHADED AREAS ON BOTH LEFT AND RIGHT BRACKETS (LEFT SIDE NOT SHOWN)

DASH DISASSEMBLY & RADIO REMOVAL INSTRUCTIONS

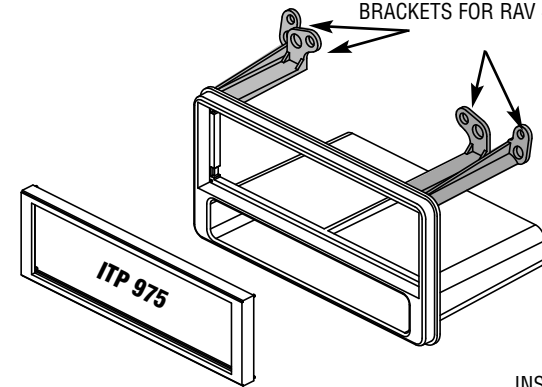
1. Remove the (4) chrome allen bolts securing the radio trim bezel.
2. Gently unsnap the radio trim bezel and remove.
3. Remove the (4) 10mm bolts securing the radio to the sub-dash.
4. Gently pull the radio forward.
5. Disconnect the harness and antenna lead from the radio and remove the radio

BRACKET PREPARATION

FOR DIN AND ISO MOUNT APPLICATIONS

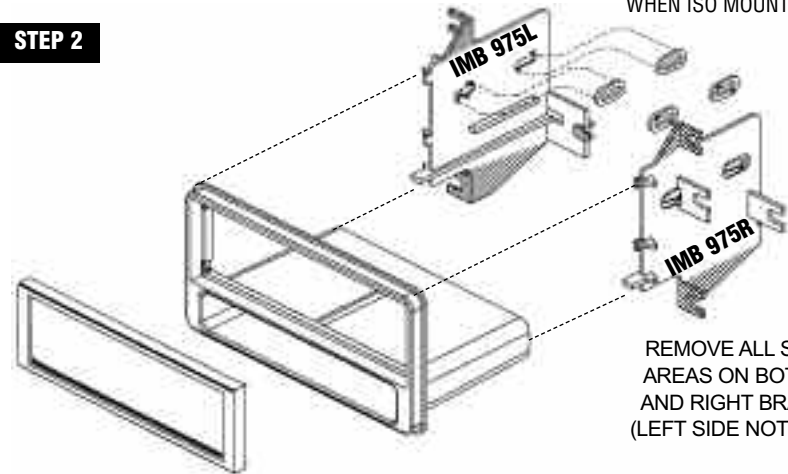
REMOVE SHADED MOUNTING BRACKETS FOR RAV 4 APPLICATION

STEP 1



STEP 2

INSERT SPACERS INTO BRACKETS ON BOTH SIDES **ONLY** WHEN ISO MOUNTING RADIO



REMOVE ALL SHADED AREAS ON BOTH LEFT AND RIGHT BRACKETS (LEFT SIDE NOT SHOWN)

PREPARE ISO MOUNT BRACKETS AS SHOWN AND ATTACH IMB 975L TO THE LEFT SIDE AND IMB 975R TO THE RIGHT SIDE OF MAIN BRACKET (#TOY-K975)