

TOYK9714 Mounting Kit



WWW.AIUS.NET
2500 East Francis Street Ontario, CA 91761, U.S.A.
USA Sales (800) 336-6500

CUSTOMER HELP LINE
USA 800-323-4329

ITOYK9714

VEHICLE APPLICATIONS

Toyota
2016 TACOMA

DASH DISASSEMBLY INSTRUCTIONS

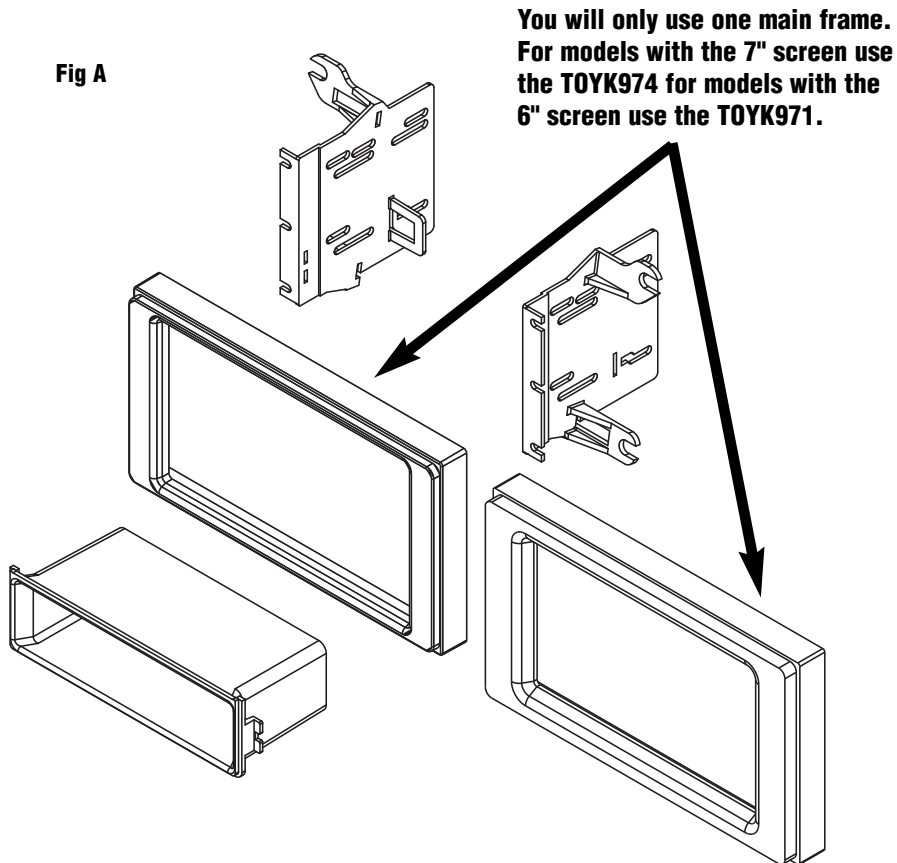
1. Using a soft tool unsnap and remove the panel surrounding the radio, including the air vents..
2. From the OEM radio brackets remove (4) 10mm bolts. Remove Radio. Unplug all harnesses and antenna connections.

KIT ASSEMBLY INSTRUCTIONS

Single ISO Mount Applications

1. Insert pocket into lower section of the brackets and snap into rear pocket support tabs.
2. Install brackets to rear of main frame using the (6) screws provided.
3. Insert ISO mountable radio between ISO mount brackets and loosely attach to sides of radio using screws provided with radio when possible, or screws supplied with kit.
4. Using the main frame of the as a guide, slide radio forward or backward for desired look and then tighten screws to the radio.

NOTE: Attach a rear support bracket to the rear of the new radio and adjust as necessary to support the weight of the radio. Suggested.



DOUBLE DIN INSTALLATION INSTRUCTIONS

Double DIN Mount Applications

See Fig B for bracket tab removal.

1. Install brackets to rear of main frame using the (6) screws provided.
2. Insert ISO mountable radio between ISO mount brackets and loosely attach to sides of radio using screws provided with radio when possible, or screws supplied with kit.
3. Using the main frame of the as a guide, slide radio forward or backward for desired look and then tighten screws to the radio.

NOTE: Attach a rear support bracket to the rear of the new radio and adjust as necessary to support the weight of the radio. Suggested.

Fig B

