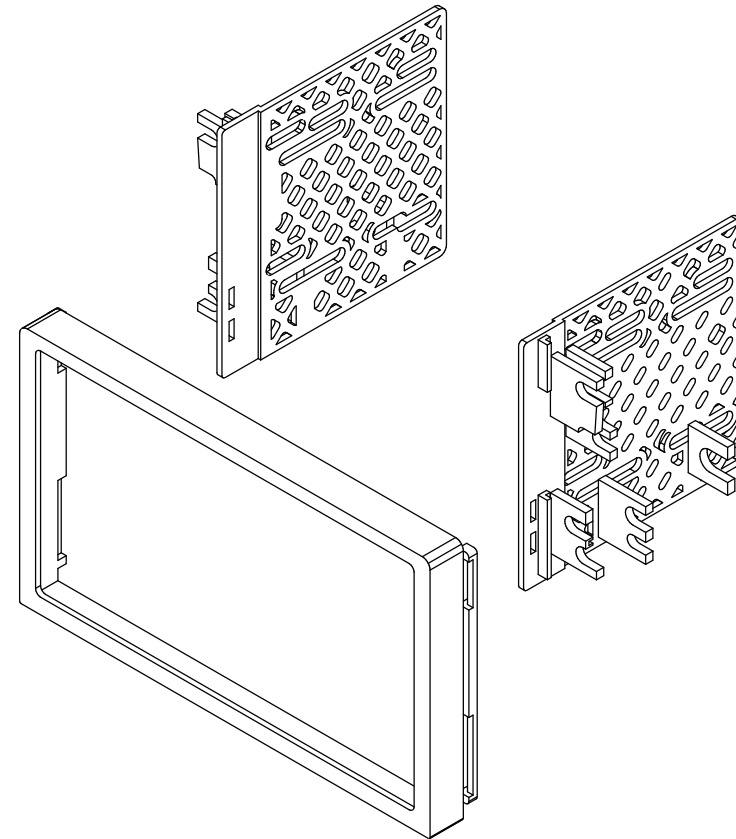


For information about other American International automotive accessories visit our website at:

<http://www.aius.net>



**American  
International**  
Car Stereo Installation Kits & Accessories



**SUZK942 Mounting Kit**



**American International**

2500 East Francis Street Ontario, CA 91761, U.S.A.  
USA Sales (800) 336-6500  
Canada Sales (888) 922-3006

**CUSTOMER HELP LINE**

**USA 800-323-4329 • Canada 800-245-8777**

iSUZK942

#### **VEHICLE APPLICATIONS**

**Chevrolet**

2004-08 AVEO  
2004-08 AVEO 5  
2004-06 AVEO WAGON

**Daewoo**

1999-02 LANOS  
1999-02 LEGANZA  
1999-02 NUBIRA

**Suzuki**

2004-06 VERONA  
2004-08 FORENZA  
2005-08 RENO



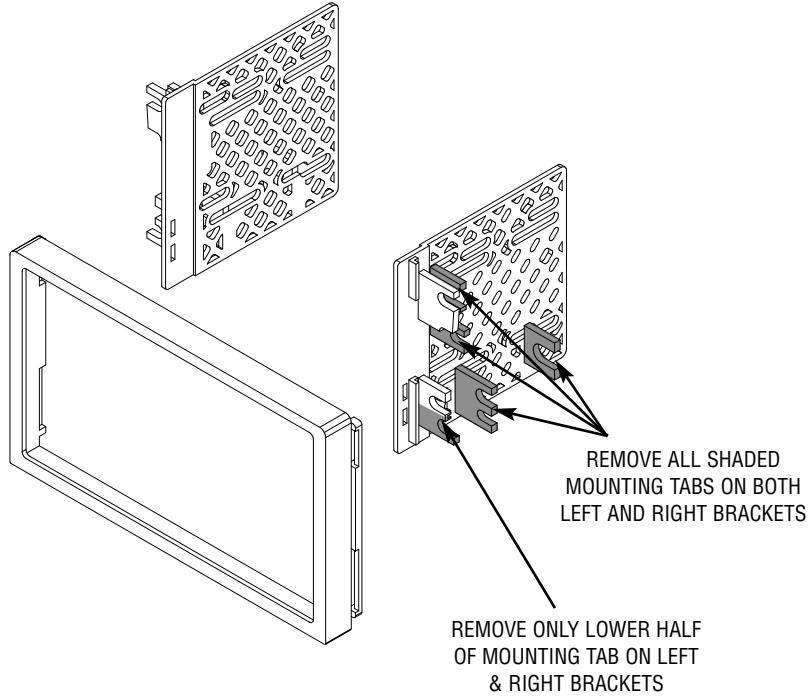
## 1999-02 DAEWOO NUBIRA

### DASH DISASSEMBLY INSTRUCTIONS

1. Carefully unsnap the trim from around the Radio/ Heater A/C controls & remove.
2. Remove the (2) Phillips screws securing the radio to the sub dash.
3. Remove the radio from the dash cavity, disconnect the wire harness & antenna lead & remove the radio.

## 1999-02 DAEWOO NUBIRA

### KIT ASSEMBLY INSTRUCTIONS



## 2004-06 SUZUKI VERONA

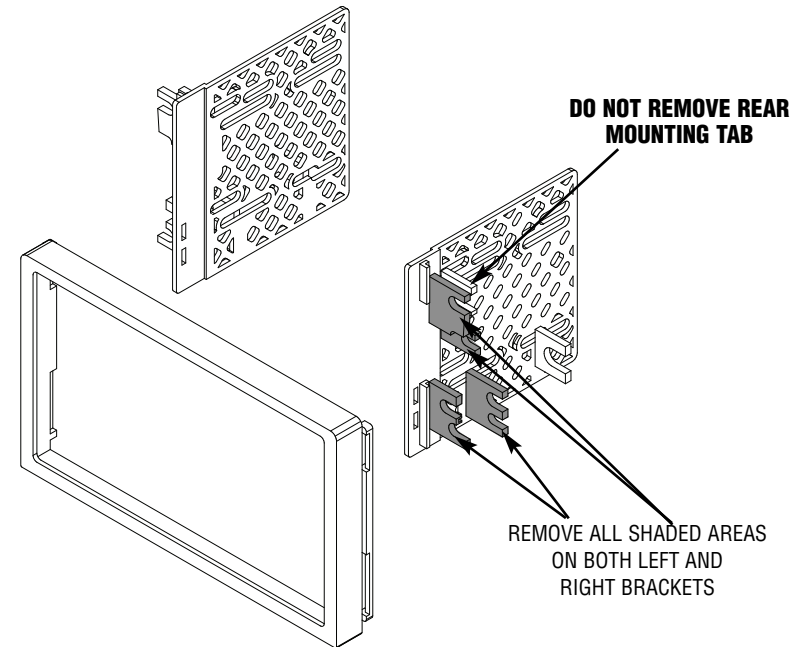
### DASH DISASSEMBLY INSTRUCTIONS

1. Carefully pry radio trim bezel outward to remove.
2. Remove the (4) screws securing the radio to the sub-dash.
3. Pull radio forward, disconnect the wire harness and antenna lead and remove radio.

## 2004-08 CHEVROLET AVEO/AVEO 5/AVEO WAGON (Excluding LT models)

## 2004-06 SUZUKI VERONA

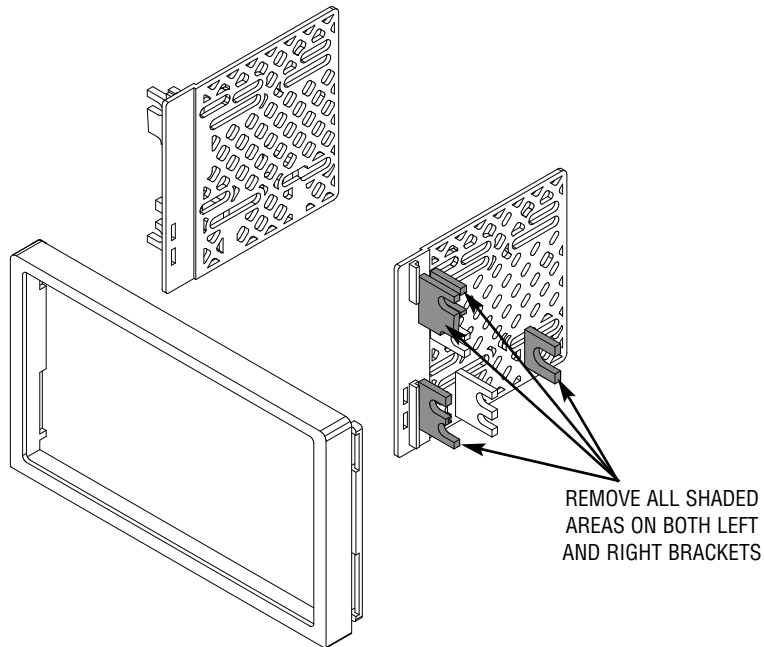
### KIT ASSEMBLY INSTRUCTIONS



**DASH DISASSEMBLY INSTRUCTIONS**

1. From below the glove box, remove the (2) phillips screws at the bottom of the glove box.
2. Remove the (3) Phillips screws securing the top of the glove box housing frame and remove glove box assembly.
3. Inside the glove box area on the left is a climate control cable that is attached with a plastic clamp (Be sure you remember how you removed it so you will be able to re-attach it when re-assembling the vehicle). Unfasten the cable clamp and unhook the cable from the Heater control gear.
4. From under the driver's side dash, unfasten the single climate control cable (same removal instructions as in step 3 above).
5. Starting from the bottom of the climate control/dash trim bezel, carefully pry outward to release the (6) trim bezel clips and pull trim bezel forward.
6. Disconnect all harnesses from the rear of the climate controls and trim bezel and remove bezel (Make sure you look to see how the (2) climate control cables were routed for dash re-assembly).
7. Remove the (4) Phillips screws securing the radio or radio & pocket to the sub-dash.
8. Pull radio forward, disconnect the wire harness and antenna lead and remove radio.

**KIT ASSEMBLY INSTRUCTIONS**



**DASH DISASSEMBLY INSTRUCTIONS**

1. Carefully unsnap the trim from around the radio & remove.
2. Remove the (2) Phillips screws securing the radio to the sub dash.
3. Remove the radio from the dash cavity, disconnect the wire harness & antenna lead & remove the radio.

**KIT ASSEMBLY INSTRUCTIONS**

