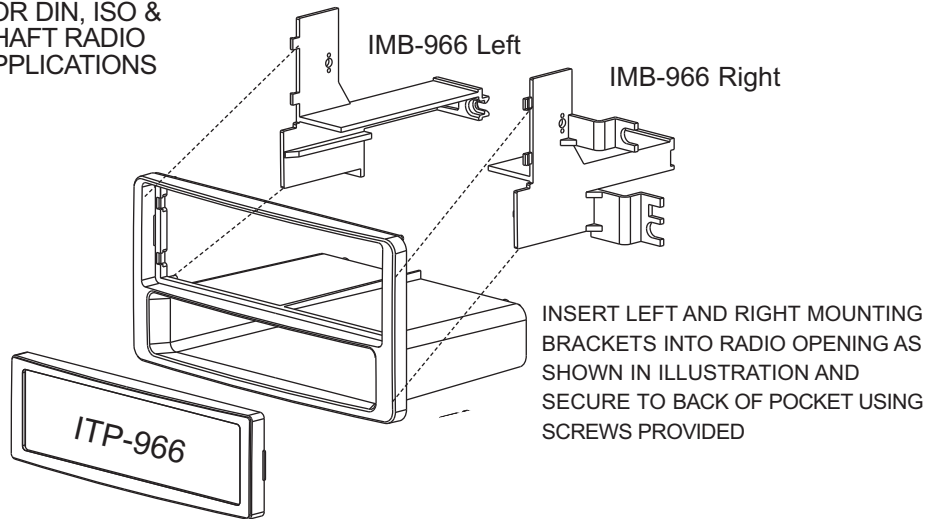


DASH DISASSEMBLY INSTRUCTIONS

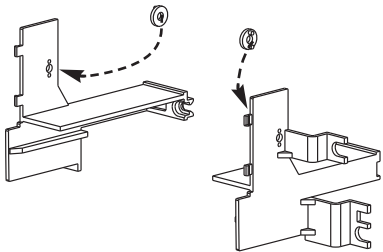
- 1) Remove the (1) Phillips screw from the top edge inside each Vent on both sides of the radio.
- 2) Carefully pull off and remove the (3) climate control knobs to reveal the Phillips screws behind them.
- 3) Remove the (3) Phillips screws from the climate control knob locations.
- 4) Carefully unclip and pull the dash trim /climate control bezel forward and lay aside.
- 5) Remove the (4) 10 mm bolts securing the radio to the sub-dash.
- 6) Carefully pull radio forward, disconnect wire harness and antenna lead and remove radio.

KIT ASSEMBLY INSTRUCTIONS

FOR DIN, ISO & SHAFT RADIO APPLICATIONS



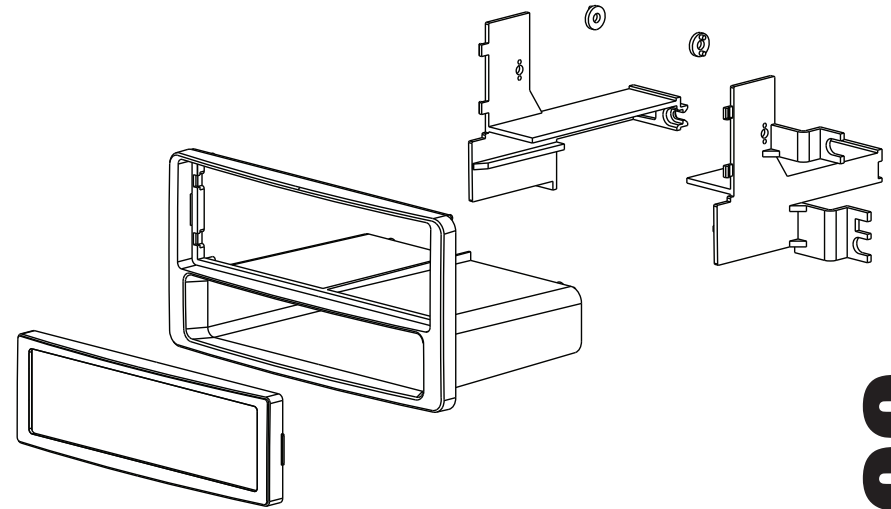
FOR ISO MOUNT APPLICATIONS



INSERT SPACER INTO BRACKETS ON BOTH SIDES ONLY WHEN ISO MOUNTING RADIO (ISO MOUNT HARDWARE INCLUDED)



**American
International**
Car Stereo Installation Kits & Accessories



VEHICLE APPLICATIONS

Toyota
2003-07 SEQUOIA
2003-06 TUNDRA

TOYK966 Mounting Kit

CUSTOMER HELP LINE

USA 800-323-4329 • Canada 800-245-8777

iTOYK966