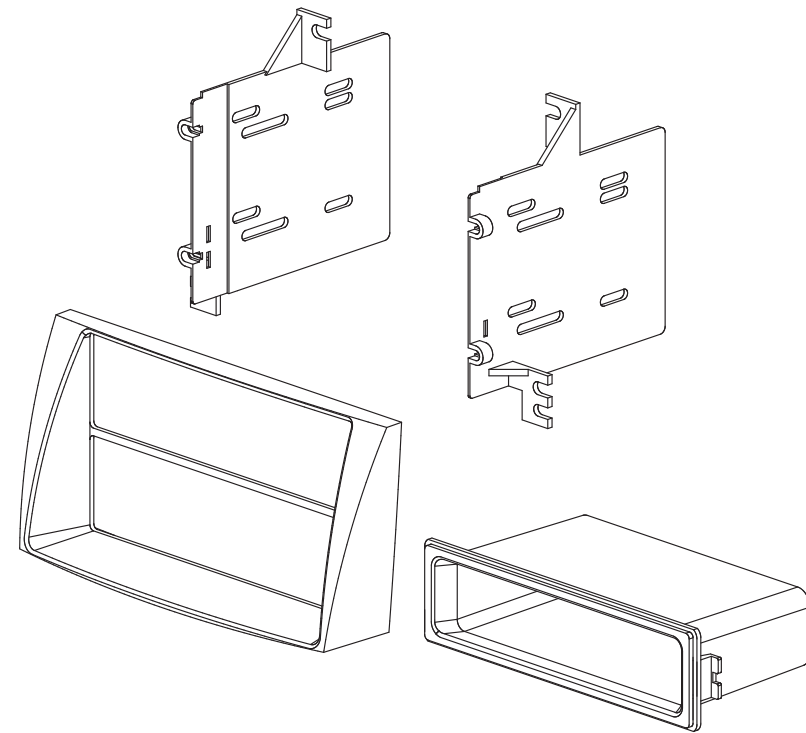


For information about other American International automotive accessories visit our website at:

<http://www.americaninternational.net>



**American
International**
Car Stereo Installation Kits & Accessories



HYN-K1138 Mounting Kit



American International

Automotive Products Division

1040 Avenida Acaso • Camarillo, CA 93012, U.S.A.

USA Sales (800) 336-6500

Canada Sales (888) 922-3006 • USA Fax (805) 388-7950

VEHICLE APPLICATIONS

Hyundai

2009 SONATA (Excluding factory navigation equipped vehicles)

CUSTOMER HELP LINE

USA 800-323-4329 • Canada 800-245-8777

iHYNK1138

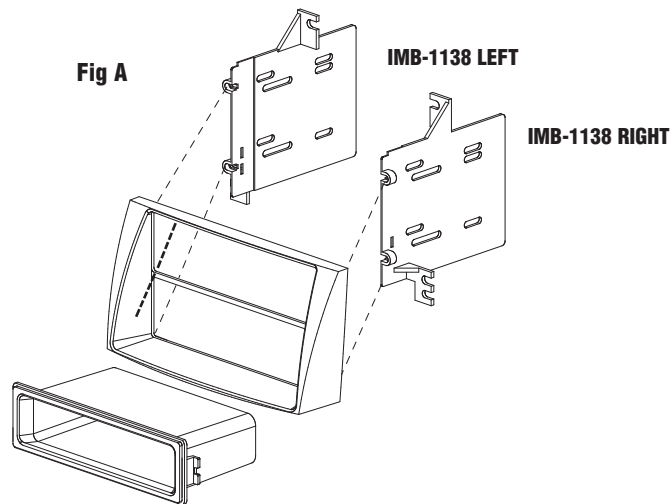
DASH DISASSEMBLY

1. Remove shifter knob from shift lever shaft.
2. Carefully lift up on and remove the trim panel from around the shift lever shaft.
3. Carefully remove the individual left and right side trim panels located below the climate control area of the center console, beside the pocket and ashtray).
4. Remove the (2) Phillips screws securing the small trim panel located directly below the factory climate controls, unfasten and remove trim.
5. Starting from the bottom edge and working your way to the top, carefully pull forward the entire Radio/Climate control/Vent trim bezel assembly, surrounding the radio.
6. Disconnect the attached harnesses and remove bezel.
7. Remove the (4) Phillips screws securing the radio to the sub-dash.
8. Carefully pull the radio forward, disconnect all attached harnesses and antenna lead and remove radio.

KIT ASSEMBLY INSTRUCTIONS

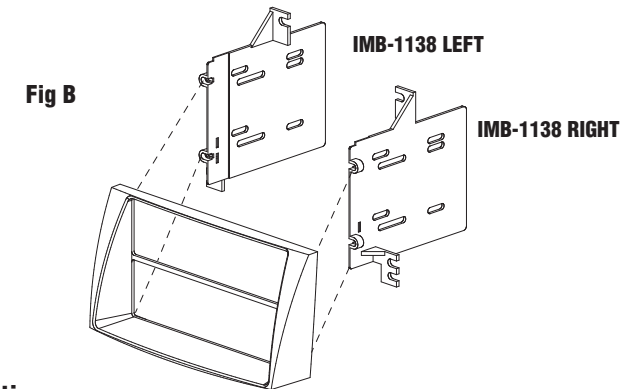
Single ISO Mount Applications

1. This kit is an (ISO) mounting kit only.
2. The mounting sleeve of your new radio and trim ring cannot be used when ISO mounting an aftermarket radio. Your radio must have a removeable trim ring.
3. Insert left and right mounting brackets to rear of kit, as shown in Figure A and secure to rear of kit fascia using (4) small phillips screws included in kit.
4. Insert pocket into lower section of kit from rear & lock into slots of mounting brackets.
5. Insert ISO mountable radio between ISO mount brackets and loosely attach to sides of radio using screws provided with radio when possible or screws supplied with kit.
6. Slide radio forward or backward for desired look and tighten screws.



Double ISO Mount Applications

1. This kit is an (ISO) mounting kit only.
2. The mounting sleeve of your new Audio/Video components and trim ring cannot be used when ISO mounting an aftermarket radio. Your Audio/Video components must have a removeable trim ring.
3. Insert IMB-1138 L&R mounting brackets to rear of kit, as shown in Figure B and secure to rear of kit fascia using (4) small phillips screws included in kit.
4. Insert ISO mountable Audio/Video components between ISO mount brackets and loosely attach to sides using screws provided with radio when possible or screws supplied with kit.
5. Slide audio/video components forward or backward for desired look and tighten screws.
6. Attach a rear support bracket to the rear of the new Audio/Video component and adjust as necessary to support the weight of the Audio/Video component.



Double DIN Mount Applications

1. Cut out the center rib of the main fascia & file edges smooth, as shown in Figure C.
2. Insert IMB-1138 L&R mounting brackets to rear of kit, as shown in Figure B and secure to rear of kit fascia using (4) small phillips screws included in kit.
3. Insert ISO mountable Audio/Video component between ISO mount brackets and loosely attach to sides using screws provided with radio when possible or hardware included with kit.
4. Slide Audio/Video component forward or backward for desired look and tighten screws.
5. Attach a rear support bracket to the rear of the new component and adjust as necessary to support the weight of the component .

